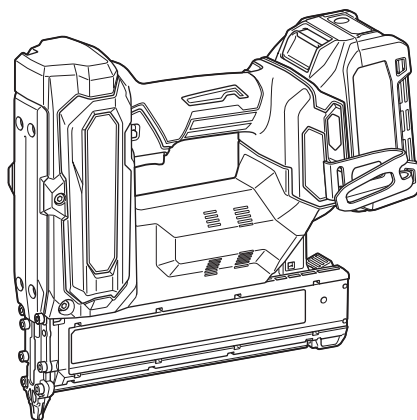


INSTRUCTION MANUAL
MANUEL D'INSTRUCTION
MANUAL DE INSTRUCCIONES



Cordless Brad Nailer Cloueur Brad Sans Fil Clavadora Inalámbrica

FN001G



IMPORTANT: Read Before Using.

IMPORTANT : Lire avant usage.

IMPORTANTE: Lea antes de usar.

SPECIFICATIONS

Model:	FN001G
Nail size	18Ga x 15, 20, 25, 30, 35, 40 mm (18Ga x 5/8, 3/4, 1, 1-3/16, 1-3/8, 1-5/8")
Nail magazine capacity	100 pcs.
Dimensions with BL4025, without hook (L x W x H)	265 mm x 86 mm x 243 mm (10-3/8" x 3-3/8" x 9-9/16")
Rated voltage	D.C. 36 V - 40 V max
Net weight	2.6 - 3.2 kg (5.7 - 7.1 lbs)

- Due to our continuing program of research and development, the specifications herein are subject to change without notice.
- Specifications and battery cartridge may differ from country to country.
- The weight may differ depending on the attachment(s), including the battery cartridge. The lightest and heaviest combinations, according to EPTA-Procedure 01/2014, are shown in the table.

Applicable battery cartridge and charger

Battery cartridge	BL4020* / BL4025* / BL4040 / BL4050F * : Recommended battery
Charger	DC40RA / DC40RB / DC40RC

- Some of the battery cartridges and chargers listed above may not be available depending on your region of residence.

⚠ WARNING: Only use the battery cartridges and chargers listed above. Use of any other battery cartridges and chargers may cause injury and/or fire.

SAFETY WARNINGS

General power tool safety warnings

⚠ WARNING: Read all safety warnings, instructions, illustrations and specifications provided with this power tool. Failure to follow all instructions listed below may result in electric shock, fire and/or serious injury.

Save all warnings and instructions for future reference.

The term "power tool" in the warnings refers to your mains-operated (corded) power tool or battery-operated (cordless) power tool.

Work area safety

1. **Keep work area clean and well lit.** Cluttered or dark areas invite accidents.
2. **Do not operate power tools in explosive atmospheres, such as in the presence of flammable liquids, gases or dust.** Power tools create sparks which may ignite the dust or fumes.
3. **Keep children and bystanders away while operating a power tool.** Distractions can cause you to lose control.

Electrical Safety

1. **Power tool plugs must match the outlet. Never modify the plug in any way. Do not use any adapter plugs with earthed (grounded) power tools.** Unmodified plugs and matching outlets will reduce risk of electric shock.

2. **Avoid body contact with earthed or grounded surfaces, such as pipes, radiators, ranges and refrigerators.** There is an increased risk of electric shock if your body is earthed or grounded.
3. **Do not expose power tools to rain or wet conditions.** Water entering a power tool will increase the risk of electric shock.
4. **Do not abuse the cord. Never use the cord for carrying, pulling or unplugging the power tool. Keep cord away from heat, oil, sharp edges or moving parts.** Damaged or entangled cords increase the risk of electric shock.
5. **When operating a power tool outdoors, use an extension cord suitable for outdoor use.** Use of a cord suitable for outdoor use reduces the risk of electric shock.
6. **If operating a power tool in a damp location is unavoidable, use a ground fault circuit interrupter (GFCI) protected supply.** Use of a GFCI reduces the risk of electric shock.
7. **Power tools can produce electromagnetic fields (EMF) that are not harmful to the user.** However, users of pacemakers and other similar medical devices should contact the maker of their device and/or doctor for advice before operating this power tool.

Personal Safety

1. **Stay alert, watch what you are doing and use common sense when operating a power tool. Do not use a power tool while you are tired or under the influence of drugs, alcohol or medication.** A moment of inattention while operating power tools may result in serious personal injury.

2. **Use personal protective equipment. Always wear eye protection.** Protective equipment such as dust mask, non-skid safety shoes, hard hat, or hearing protection used for appropriate conditions will reduce personal injuries.
3. **Prevent unintentional starting. Ensure the switch is in the off-position before connecting to power source and/or battery pack, picking up or carrying the tool.** Carrying power tools with your finger on the switch or energising power tools that have the switch on invites accidents.
4. **Remove any adjusting key or wrench before turning the power tool on.** A wrench or a key left attached to a rotating part of the power tool may result in personal injury.
5. **Do not overreach. Keep proper footing and balance at all times.** This enables better control of the power tool in unexpected situations.
6. **Dress properly. Do not wear loose clothing or jewellery. Keep your hair, clothing and gloves away from moving parts.** Loose clothes, jewellery or long hair can be caught in moving parts.
7. **If devices are provided for the connection of dust extraction and collection facilities, ensure these are connected and properly used.** Use of dust collection can reduce dust-related hazards.
8. **Do not let familiarity gained from frequent use of tools allow you to become complacent and ignore tool safety principles.** A careless action can cause severe injury within a fraction of a second.
9. **Always wear protective goggles to protect your eyes from injury when using power tools. The goggles must comply with ANSI Z87.1 in the USA. It is an employer's responsibility to enforce the use of appropriate safety protective equipment by the tool operators and by other persons in the immediate working area.**

Power tool use and care

1. **Do not force the power tool. Use the correct power tool for your application.** The correct power tool will do the job better and safer at the rate for which it was designed.
2. **Do not use the power tool if the switch does not turn it on and off.** Any power tool that cannot be controlled with the switch is dangerous and must be repaired.
3. **Disconnect the plug from the power source and/or remove the battery pack, if detachable, from the power tool before making any adjustments, changing accessories, or storing power tools.** Such preventive safety measures reduce the risk of starting the power tool accidentally.
4. **Store idle power tools out of the reach of children and do not allow persons unfamiliar with the power tool or these instructions to operate the power tool.** Power tools are dangerous in the hands of untrained users.
5. **Maintain power tools and accessories. Check for misalignment or binding of moving parts, breakage of parts and any other condition that may affect the power tool's operation. If damaged, have the power tool repaired before use.** Many accidents are caused by poorly maintained power tools.

6. **Keep cutting tools sharp and clean.** Properly maintained cutting tools with sharp cutting edges are less likely to bind and are easier to control.
7. **Use the power tool, accessories and tool bits etc. in accordance with these instructions, taking into account the working conditions and the work to be performed.** Use of the power tool for operations different from those intended could result in a hazardous situation.
8. **Keep handles and grasping surfaces dry, clean and free from oil and grease.** Slippery handles and grasping surfaces do not allow for safe handling and control of the tool in unexpected situations.
9. **When using the tool, do not wear cloth work gloves which may be entangled.** The entanglement of cloth work gloves in the moving parts may result in personal injury.

Battery tool use and care

1. **Recharge only with the charger specified by the manufacturer.** A charger that is suitable for one type of battery pack may create a risk of fire when used with another battery pack.
2. **Use power tools only with specifically designed battery packs.** Use of any other battery packs may create a risk of injury and fire.
3. **When battery pack is not in use, keep it away from other metal objects, like paper clips, coins, keys, nails, screws or other small metal objects, that can make a connection from one terminal to another.** Shorting the battery terminals together may cause burns or a fire.
4. **Under abusive conditions, liquid may be ejected from the battery; avoid contact. If contact accidentally occurs, flush with water. If liquid contacts eyes, additionally seek medical help.** Liquid ejected from the battery may cause irritation or burns.
5. **Do not use a battery pack or tool that is damaged or modified.** Damaged or modified batteries may exhibit unpredictable behaviour resulting in fire, explosion or risk of injury.
6. **Do not expose a battery pack or tool to fire or excessive temperature.** Exposure to fire or temperature above 130 °C may cause explosion.
7. **Follow all charging instructions and do not charge the battery pack or tool outside the temperature range specified in the instructions.** Charging improperly or at temperatures outside the specified range may damage the battery and increase the risk of fire.

Service

1. **Have your power tool serviced by a qualified repair person using only identical replacement parts.** This will ensure that the safety of the power tool is maintained.
2. **Never service damaged battery packs.** Service of battery packs should only be performed by the manufacturer or authorized service providers.
3. **Follow instruction for lubricating and changing accessories.**
4. **Do not modify or attempt to repair the appliance or the battery pack except as indicated in the instructions for use and care.**

Cordless nailer safety warnings

1. **Always assume that the tool contains fasteners.** Careless handling of the nailer can result in unexpected firing of fasteners and personal injury.
2. **Do not point the tool towards yourself or anyone nearby.** Unexpected triggering will discharge the fastener causing an injury.
3. **Do not actuate the tool unless the tool is placed firmly against the workpiece.** If the tool is not in contact with the workpiece, the fastener may be deflected away from your target.
4. **Disconnect the tool from the power source when the fastener jams in the tool.** While removing a jammed fastener, the nailer may be accidentally activated if it is plugged in.
5. **Use caution while removing a jammed fastener.** The mechanism may be under compression and the fastener may be forcefully discharged while attempting to free a jammed condition.
6. **Do not use this nailer for fastening electrical cables.** It is not designed for electric cable installation and may damage the insulation of electric cables thereby causing electric shock or fire hazards.
7. **Keep hands and feet away from the ejection port area.**
8. **Follow instruction for lubricating and changing accessories.**
9. **Always remove the battery cartridge before loading the fasteners, adjustment, inspection, maintenance or after operation is over.**
10. **Make sure no one is nearby before operation.** Never attempt to drive fasteners from both the inside and outside of wall at the same time. Fasteners may rip through and/or fly off, presenting a grave danger.
11. **Watch your footing and maintain your balance with the tool.** Make sure there is no one below when working in high locations.
12. **Never use fastener driving tools marked with the symbol "Do not use on scaffoldings, ladders" for specific application for example:**
 - when changing one driving location to another involves the use of scaffoldings, stairs, ladders, or ladder alike constructions, e.g. roof laths;
 - closing boxes or crates;
 - fitting transportation safety systems e.g. on vehicles and wagons.
13. **Check walls, ceilings, floors, roofing and the like carefully to avoid possible electrical shock, gas leakage, explosions, etc. caused by stapling into live wires, conduits or gas pipes.**
14. **Use only fasteners specified in this manual.** The use of any other fasteners may cause malfunction of the tool.
15. **Do not tamper with the tool or attempt to use it for other than driving fasteners.**
16. **Do not operate the tool without fasteners.** It shortens the service life of the tool.
17. **Stop driving operations immediately if you notice something wrong or out of the ordinary with the tool.**

18. **Never fasten into any materials which may allow the fastener to puncture and fly through as a projectile.**
19. **Never actuate the switch trigger and contact element at the same time until you are prepared to fasten workpieces.** Allow the workpiece to depress the contact element. Never defeat its purpose by securing the contact element back or by depressing it by hand.
20. **Never tamper with the contact element.** Check the contact element frequently for proper operations.
21. **Always remove fasteners from the tool when not in use.**

SAVE THESE INSTRUCTIONS.

⚠WARNING: DO NOT let comfort or familiarity with product (gained from repeated use) replace strict adherence to safety rules for the subject product. MISUSE or failure to follow the safety rules stated in this instruction manual may cause serious personal injury.

Symbols

The followings show the symbols used for tool.

v	volts
— ---	direct current

Important safety instructions for battery cartridge

1. **Before using battery cartridge, read all instructions and cautionary markings on (1) battery charger, (2) battery, and (3) product using battery.**
2. **Do not disassemble or tamper the battery cartridge.** It may result in a fire, excessive heat, or explosion.
3. **If operating time has become excessively shorter, stop operating immediately.** It may result in a risk of overheating, possible burns and even an explosion.
4. **If electrolyte gets into your eyes, rinse them out with clear water and seek medical attention right away.** It may result in loss of your eyesight.
5. **Do not short the battery cartridge:**
 - (1) **Do not touch the terminals with any conductive material.**
 - (2) **Avoid storing battery cartridge in a container with other metal objects such as nails, coins, etc.**
 - (3) **Do not expose battery cartridge to water or rain.**

A battery short can cause a large current flow, overheating, possible burns and even a breakdown.

6. Do not store and use the tool and battery cartridge in locations where the temperature may reach or exceed 50 °C (122 °F).
7. Do not incinerate the battery cartridge even if it is severely damaged or is completely worn out. The battery cartridge can explode in a fire.
8. Do not nail, cut, crush, throw, drop the battery cartridge, or hit against a hard object to the battery cartridge. Such conduct may result in a fire, excessive heat, or explosion.
9. Do not use a damaged battery.
10. The contained lithium-ion batteries are subject to the Dangerous Goods Legislation requirements.
For commercial transports e.g. by third parties, forwarding agents, special requirement on packaging and labeling must be observed.
For preparation of the item being shipped, consulting an expert for hazardous material is required.
Please also observe possibly more detailed national regulations.
Tape or mask off open contacts and pack up the battery in such a manner that it cannot move around in the packaging.
11. When disposing the battery cartridge, remove it from the tool and dispose of it in a safe place. Follow your local regulations relating to disposal of battery.
12. Use the batteries only with the products specified by Makita. Installing the batteries to non-compliant products may result in a fire, excessive heat, explosion, or leak of electrolyte.
13. If the tool is not used for a long period of time, the battery must be removed from the tool.
14. During and after use, the battery cartridge may take on heat which can cause burns or low temperature burns. Pay attention to the handling of hot battery cartridges.
15. Do not touch the terminal of the tool immediately after use as it may get hot enough to cause burns.
16. Do not allow chips, dust, or soil stuck into the terminals, holes, and grooves of the battery cartridge. It may cause heating, catching fire, burst and malfunction of the tool or battery cartridge, resulting in burns or personal injury.
17. Unless the tool supports the use near high-voltage electrical power lines, do not use the battery cartridge near a high-voltage electrical power lines. It may result in a malfunction or breakdown of the tool or battery cartridge.
18. Keep the battery away from children.

SAVE THESE INSTRUCTIONS.

CAUTION: Only use genuine Makita batteries. Use of non-genuine Makita batteries, or batteries that have been altered, may result in the battery bursting causing fires, personal injury and damage. It will also void the Makita warranty for the Makita tool and charger.

Tips for maintaining maximum battery life

1. Charge the battery cartridge before completely discharged. Always stop tool operation and charge the battery cartridge when you notice less tool power.
2. Never recharge a fully charged battery cartridge. Overcharging shortens the battery service life.
3. Charge the battery cartridge with room temperature at 10 °C - 40 °C (50 °F - 104 °F). Let a hot battery cartridge cool down before charging it.
4. When not using the battery cartridge, remove it from the tool or the charger.
5. Charge the battery cartridge if you do not use it for a long period (more than six months).

FUNCTIONAL DESCRIPTION

CAUTION: Always be sure that the tool is switched off and the battery cartridge is removed before adjusting or checking function on the tool.

Installing or removing battery cartridge

CAUTION: Always switch off the tool before installing or removing of the battery cartridge.

CAUTION: Hold the tool and the battery cartridge firmly when installing or removing battery cartridge. Failure to hold the tool and the battery cartridge firmly may cause them to slip off your hands and result in damage to the tool and battery cartridge and a personal injury.

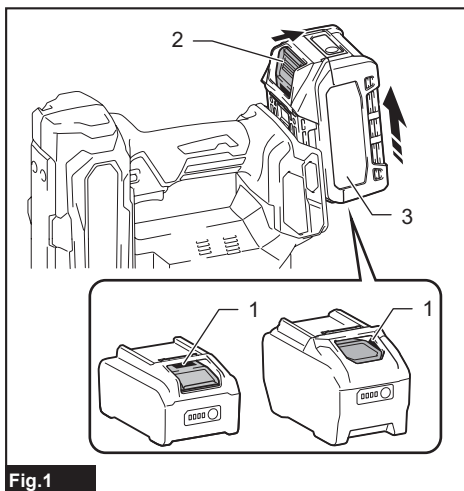


Fig.1

► 1. Red indicator 2. Button 3. Battery cartridge

To remove the battery cartridge, slide it from the tool while sliding the button on the front of the cartridge.

To install the battery cartridge, align the tongue on the battery cartridge with the groove in the housing and slip it into place. Insert it all the way until it locks in place with a little click. If you can see the red indicator as shown in the figure, it is not locked completely.

⚠ CAUTION: Always install the battery cartridge fully until the red indicator cannot be seen. If not, it may accidentally fall out of the tool, causing injury to you or someone around you.

⚠ CAUTION: Do not install the battery cartridge forcibly. If the cartridge does not slide in easily, it is not being inserted correctly.

Tool / battery protection system

The tool is equipped with a tool/battery protection system. This system automatically cuts off power to the motor to extend tool and battery life. The tool will automatically stop during operation if the tool or battery is placed under one of the following conditions:

Overload protection

When the tool/battery is operated in a manner that causes it to draw an abnormally high current, the tool automatically stops without any indication. In this situation, turn the tool off and stop the application that caused the tool to become overloaded. Then turn the tool on to restart.

Overheat protection

When the tool/battery is overheated, the tool stops automatically. In this situation, let the tool/battery cool before turning the tool on again.

Overdischarge protection

When the battery capacity is not enough, the tool stops automatically. In this case, remove the battery from the tool and charge the battery.

Indicating the remaining battery capacity

Press the check button on the battery cartridge to indicate the remaining battery capacity. The indicator lamps light up for a few seconds.

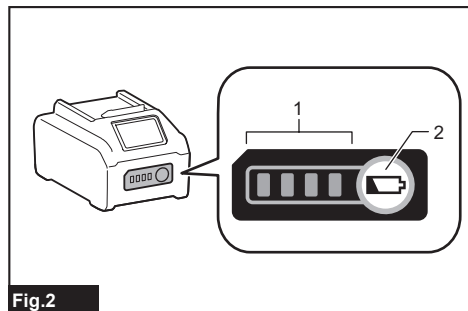


Fig.2

► 1. Indicator lamps 2. Check button

Indicator lamps			Remaining capacity
Lighted	Off	Blinking	
■ ■ ■ ■			75% to 100%
■ ■ ■ □			50% to 75%
■ ■ □ □			25% to 50%
■ □ □ □			0% to 25%
▣ □ □ □			Charge the battery.
■ ■ □ □			The battery may have malfunctioned.
□ □ ■ ■	↑ ↓		

NOTE: Depending on the conditions of use and the ambient temperature, the indication may differ slightly from the actual capacity.

NOTE: The first (far left) indicator lamp will blink when the battery protection system works.

Trigger-lock button

⚠ CAUTION: Before installing the battery cartridge into the tool, always check to see that the switch trigger actuates properly and returns to the "OFF" position when released.

⚠ CAUTION: When not operating the tool, depress the trigger-lock button from B side to lock the switch trigger in the OFF position.

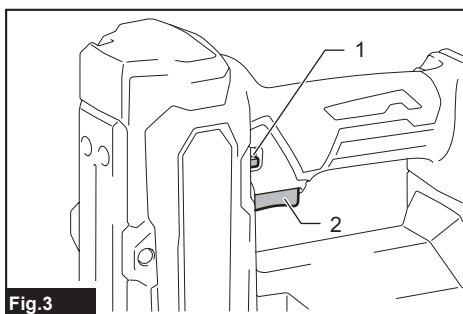


Fig.3

► 1. Trigger-lock button 2. Switch trigger

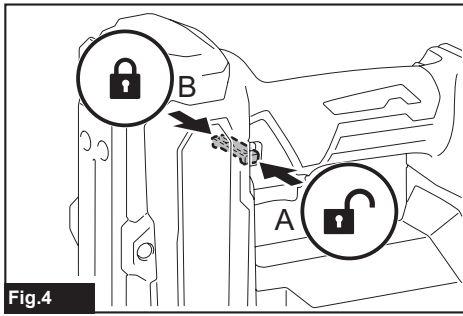


Fig.4

To prevent the switch trigger from accidentally pulled, the trigger-lock button is provided.
 To pull the switch trigger, depress the trigger-lock button from A side.
 After use, always press in the trigger-lock button from B side.

Adjusting the depth of nailing

WARNING: Always make sure that your fingers are not placed on the switch trigger or the contact element and the battery cartridge is removed before adjusting the depth of nailing.

Depth of nailing can be adjusted by turning the adjuster on the tool. A nail drives deeper as you turn the adjuster in the A direction shown in the figure, and shallower in the B direction, within a range of up to 2.5 mm (3/32").

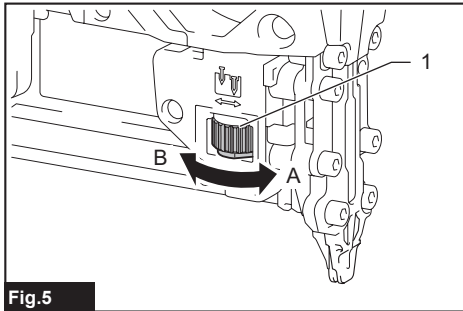


Fig.5

► 1. Adjuster

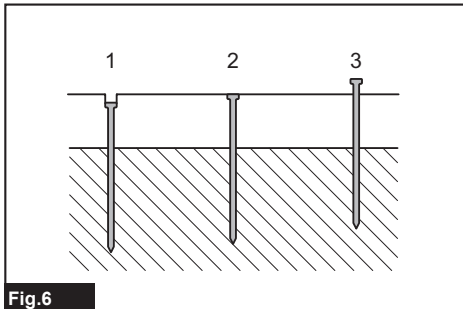


Fig.6

► 1. Too deep 2. Right depth 3. Too shallow

Lighting up the lamp

CAUTION: Do not look in the light or see the source of light directly.

Pull the switch trigger or actuate the contact element to light up the lamp. The lamp remains lit for up to 60 seconds while pulling the switch trigger or actuating the contact element. The lamp goes out approximately 10 seconds after releasing the switch trigger and the contact element.

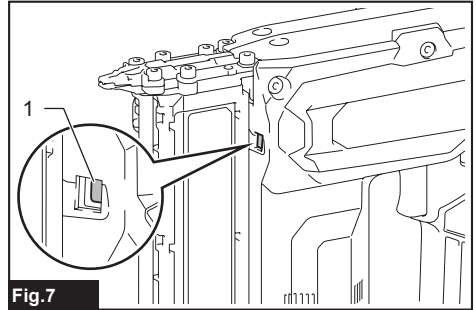


Fig.7

► 1. Lamp

NOTICE: Use a dry cloth to wipe the dirt off the lens of the lamp. Be careful not to scratch the lens of lamp, or it may lower the illumination.

NOTICE: Even in the lamp lights up when the battery power residual gets small, nailer may not fire nails. In this case, charge the battery cartridge.

NOTICE: When the tool is overheated, the light flashes. In this case, release the switch trigger and contact element, and then cool down the tool/battery before operating again.

NOTICE: The lamp starts blinking if the nailer detects an error during driving the nail. In this case, bring the nailer to a Factory Service Center.

ASSEMBLY

CAUTION: Always make sure that your fingers are not placed on the switch trigger or the contact element and the battery cartridge is removed before carrying out any work on the nailer.

Loading or unloading the nails

CAUTION: Always make sure that your fingers are not placed on the trigger and the battery cartridge is removed before loading nails.

CAUTION: Do not abruptly slide the slide door of the nailer loaded with nails. Accidentally dropping nails especially when working in high places may cause personal injuries.

CAUTION: Load nails in the correct direction. Loading in wrong direction may cause premature wear and tear of the driver and damage of the other parts.

CAUTION: Do not use deformed nail strips. Use nails specified in this manual. Using nails other than those specified may cause nail jamming and breakage of the nailer.

1. Press the lock lever and open the slide door of the magazine.

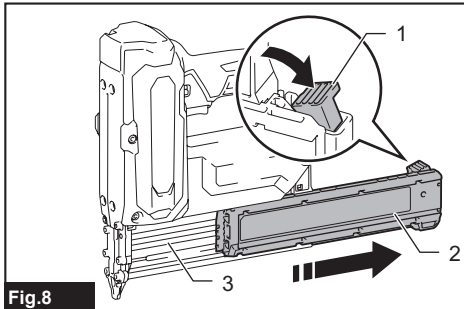


Fig.8

- 1. Lock lever 2. Slide door 3. Magazine

2. Set a nail strip so that the nail tips touch the bottom of the magazine and slide the nail strip toward the driver guide.

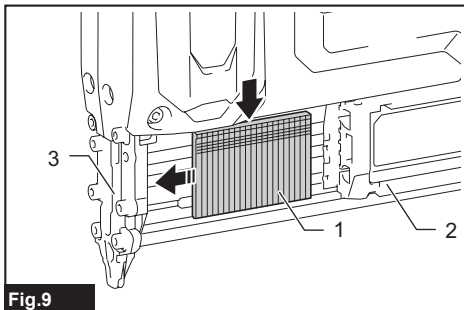


Fig.9

- 1. Nails 2. Slide door 3. Driver guide

3. Return the slide door to the original position until the lock lever locks it.

To remove the nails, press the lock lever and slide the slide door. Take out nails from the magazine.

Nose adapter

CAUTION: Always make sure that your fingers are not placed on the switch trigger or the contact element and the battery cartridge is removed before installing the nose adapter.

When firing nails on the material with easily-marred surfaces, use the nose adapter. Put the adapter onto the pointed end of the driver guide. You can store the nose adapter in the holder at the back end of the magazine to keep it from being lost.

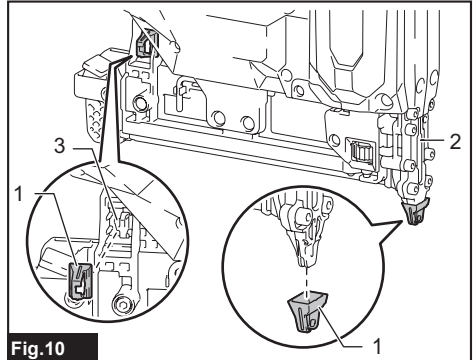


Fig.10

- 1. Nose adapter 2. Driver guide 3. Holder

Hook

CAUTION: When installing the hook, always secure it with the screw firmly. If not, the hook may come off from the tool and result in the personal injury.

CAUTION: Use the hanging/mounting parts for their intended purposes only. Using for unintended purpose may cause accident or personal injury.

CAUTION: Do not hang the hook from the waist belt. Dropping the nailer, which is caused by the hook accidentally coming out of place, may cause unintentional firing and result in personal injuries.

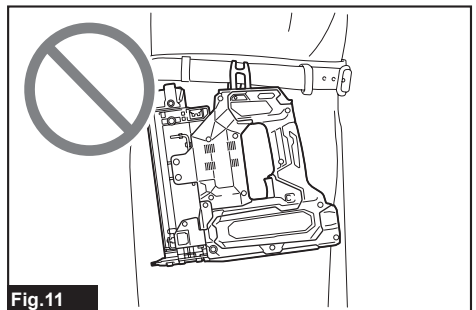


Fig.11

The hook is convenient for temporarily hanging the tool. This can be installed on either side of the tool.

To install the hook, insert it into a groove in the tool housing on either side and then secure it with a screw. To remove, loosen the screw and then take it out.

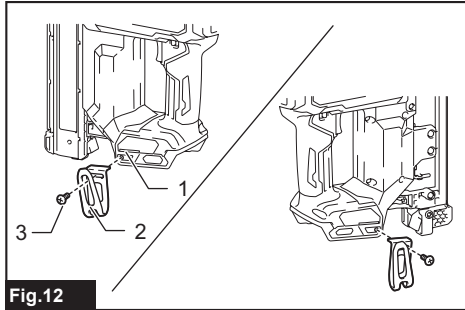


Fig.12

- 1. Groove 2. Hook 3. Screw

Hex wrench storage

When not in use, store the hex wrench as shown in the figure to keep it from being lost.

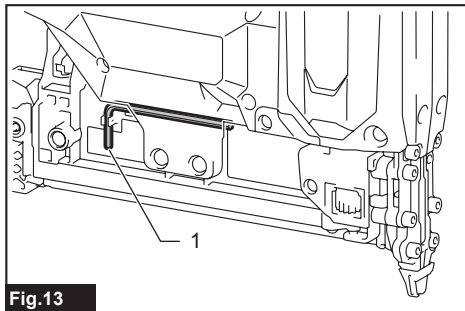


Fig.13

- 1. Hex wrench

OPERATION

Testing the safety system

⚠WARNING: Make sure all safety systems are in working order before operation. Failure to do so may cause personal injuries.

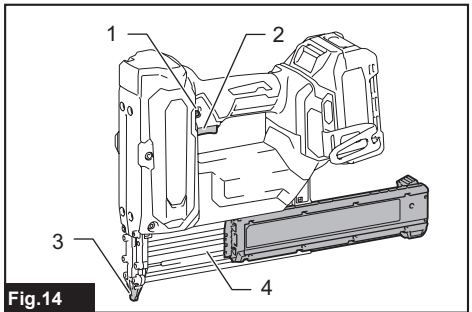


Fig.14

- 1. Trigger-lock button 2. Switch trigger 3. Contact element 4. Magazine

Test safety systems as follows for possible fault before operation.

1. Unload nails from the tool and keep the magazine opened.
2. Install the battery cartridge and release the trigger lock.
3. Pull the switch trigger without touching the contact element against the material.
4. Touch the contact element against the material without pulling the switch trigger.

If the tool operates in the case of 3 or 4 above, the safety systems are faulty. Stop using the tool immediately and ask your local service center.

Driving nails

⚠WARNING: Do not use this nailer for fastening electrical cables. It is not designed for electric cable installation and may damage the insulation of electric cables thereby causing electric shock or fire hazards.

⚠WARNING: Continue to place the contact element firmly on the material until the nail is driven completely. Unintentional firing may cause personal injuries.

⚠CAUTION: Hold the tool firmly during operation.

1. Release the trigger lock.
2. Place flat the contact element on the material.
3. Pull the switch trigger fully to drive a nail.

4. To drive the next nail, release your finger from the switch trigger once, and then repeat the step 2 and 3 above.

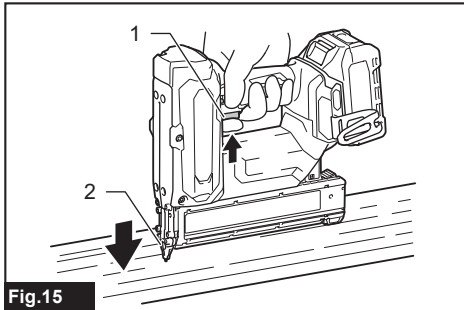


Fig.15

► 1. Switch trigger 2. Contact element

You can also drive the nails when dragging the tool to the next area with the contact element pressed against the material and pulling the switch trigger.

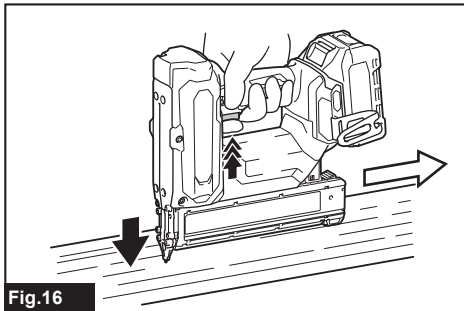


Fig.16

If the head of the nail remains above the workpiece surface, drive the nail while holding the nailer head firmly against the workpiece.

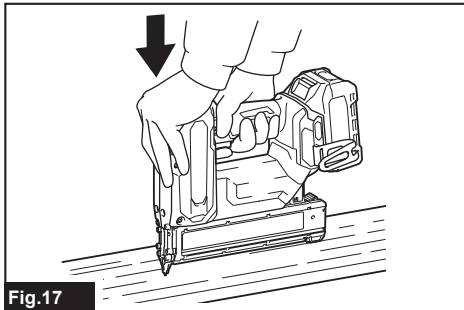


Fig.17

NOTE: If the head of the nail still remains above the workpiece even you hold the nail head, the material may not be suitable for the nailer. Continuing to use the nailer on such material may result in a damage to the driver of the nailer and/or nailer jamming.

Anti dry fire mechanism

⚠WARNING: Always make sure that your fingers are not placed on the switch trigger or the contact element and the battery cartridge is removed before loading the nailer.

When the number of remaining nail strips in the magazine is empty, the switch trigger can no longer be pulled. At this time, insert a new nail strip in the magazine. The switch trigger can be pulled again.

Checking remaining nails

You can check the amount of remaining nails through the sight window.

The red indicator moves toward firing opening as the amount of remaining nails becomes smaller.

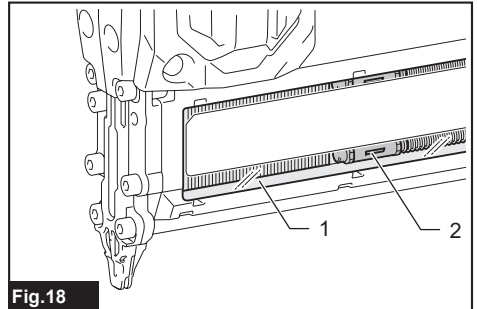


Fig.18

► 1. Sight window 2. Indicator

Removing jammed nails

⚠WARNING: Always make sure that the trigger is released, and the battery cartridge and nails are removed before removing jammed nails.

⚠CAUTION: Do not remove the jammed nails with bare hands. The nail may jump out of the magazine and cause an injury.

Remove the hex bolts on the driver guide using the hex wrench.

Take the jammed nails from the nail guide groove with a slotted screwdriver.

Secure the driver guide with the hex bolts.

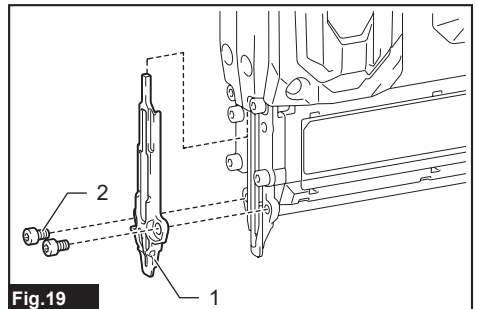


Fig.19

► 1. Driver guide 2. Hex bolt

NOTE: After securing the driver guide, always make sure that it actuates properly. If not, remove hex bolts and install the driver guide again.

MAINTENANCE

CAUTION: Always be sure that the tool is switched off and the battery cartridge is removed before attempting to perform inspection or maintenance.

NOTICE: Never use gasoline, benzene, thinner, alcohol or the like. Discoloration, deformation or cracks may result.

To maintain product SAFETY and RELIABILITY, repairs, any other maintenance or adjustment should be performed by Makita Authorized or Factory Service Centers, always using Makita replacement parts.

Replacing driver guide

Optional accessory

Replace the standard-equipped driver guide with the optional driver guide better suited for fastening soft wood.

1. Remove the hex bolts on the driver guide using the hex wrench.

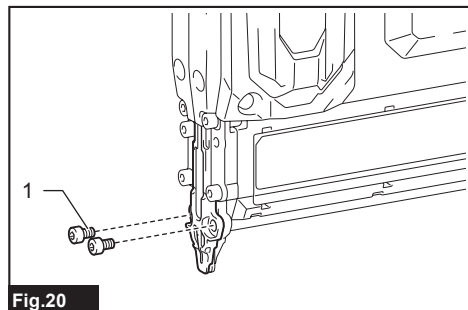


Fig.20

- 1. Hex bolt

2. Pull off the standard-equipped driver guide downward.

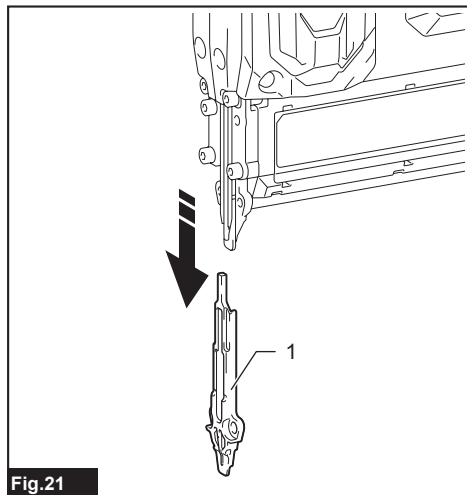


Fig.21

- 1. Standard-equipped driver guide

3. Install the optional driver guide by pushing it upward into the guide slot.

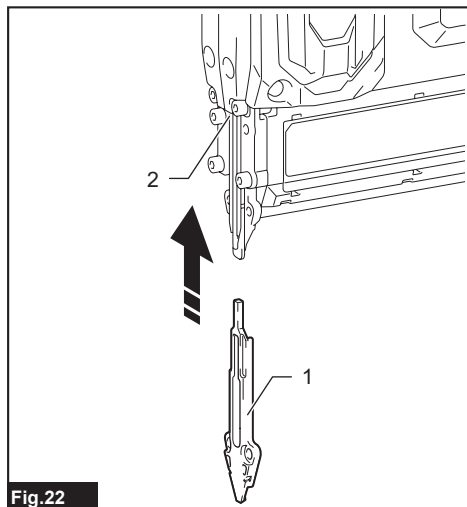


Fig.22

- 1. Optional driver guide 2. Guide slot

4. Secure the optional driver guide with the hex bolts.

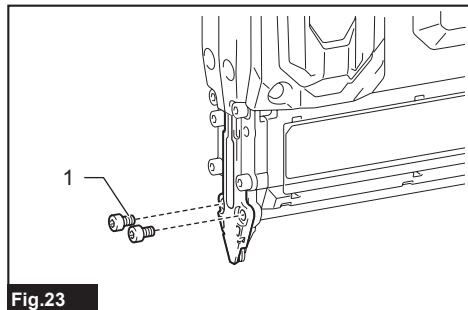


Fig.23

- 1. Hex bolt

OPTIONAL ACCESSORIES

⚠ CAUTION: These accessories or attachments are recommended for use with your Makita tool specified in this manual. The use of any other accessories or attachments might present a risk of injury to persons. Only use accessory or attachment for its stated purpose.

If you need any assistance for more details regarding these accessories, ask your local Makita Service Center.

- Nails
- Driver guide (for fastening soft wood)
- Makita genuine battery and charger

NOTE: Some items in the list may be included in the tool package as standard accessories. They may differ from country to country.

MAKITA LIMITED WARRANTY

Please refer to the annexed warranty sheet for the most current warranty terms applicable to this product. If annexed warranty sheet is not available, refer to the warranty details set forth at below website for your respective country.

United States of America: www.makitatools.com

Canada: www.makita.ca

Other countries: www.makita.com

SPÉCIFICATIONS

Modèle :	FN001G
Taille de clou	18Ga x 15, 20, 25, 30, 35, 40 mm (18Ga x 5/8, 3/4, 1, 1-3/16, 1-3/8, 1-5/8")
Capacité du magasin de clous	100 pièces
Dimensions avec BL4025, sans le crochet (L x P x H)	265 mm x 86 mm x 243 mm (10-3/8" x 3-3/8" x 9-9/16")
Tension nominale	C.C. 36 V - 40 V max.
Poids net	2,6 - 3,2 kg (5,7 - 7,1 lbs)

- Étant donné l'évolution constante de notre programme de recherche et développement, les spécifications contenues dans ce manuel sont sujettes à modification sans préavis.
- Les spécifications et la batterie peuvent varier suivant les pays.
- Le poids peut varier selon les accessoires, y compris la batterie. La plus légère et la plus lourde combinaisons, selon la procédure EPTA 01/2014, sont indiquées dans le tableau.

Batteries et chargeurs applicables

Batterie	BL4020* / BL4025* / BL4040 / BL4050F * : Batterie recommandée
Chargeur	DC40RA / DC40RB / DC40RC

- Suivant la région où vous habitez, il se peut que certaines des batteries et certains des chargeurs énumérés ci-dessus ne soient pas disponibles.

⚠ MISE EN GARDE : Utilisez exclusivement les batteries et chargeurs énumérés ci-dessus. L'utilisation de toute autre batterie ou tout autre chargeur peut entraîner une blessure et/ou un incendie.

CONSIGNES DE SÉCURITÉ

Consignes de sécurité générales pour outils électriques

⚠ MISE EN GARDE : Lisez toutes les mises en garde, instructions, illustrations et spécifications qui accompagnent cet outil électrique. Il y a risque de décharge électrique, d'incendie et/ou de blessure grave si les instructions ci-dessous ne sont pas toutes respectées.

Conservez toutes les mises en garde et instructions pour référence future.

Le terme « outil électrique » qui figure dans les avertissements fait référence à un outil électrique branché sur une prise de courant (par un cordon d'alimentation) ou alimenté par batterie (sans fil).

Sécurité de la zone de travail

- Maintenez la zone de travail propre et bien éclairée.** Les zones de travail encombrées ou sombres ouvrent grande la porte aux accidents.

- N'utilisez pas les outils électriques dans les atmosphères explosives, par exemple en présence de liquides, gaz ou poussières inflammables.** Les outils électriques produisent des étincelles au contact desquelles la poussière ou les vapeurs peuvent s'enflammer.
- Assurez-vous qu'aucun enfant ou curieux ne s'approche pendant que vous utilisez un outil électrique.** Vous risquez de perdre la maîtrise de l'outil si votre attention est détournée.

Sécurité en matière d'électricité

- Les fiches d'outil électrique sont conçues pour s'adapter parfaitement aux prises de courant. Ne modifiez jamais la fiche de quelque façon que ce soit. N'utilisez aucun adaptateur de fiche sur les outils électriques avec mise à la terre.** En ne modifiant pas les fiches et en les insérant dans des prises de courant pour lesquelles elles ont été conçues, vous réduirez les risques de choc électrique.
- Évitez tout contact corporel avec les surfaces mises à la terre, telles que tuyaux, radiateurs, cuisinières et réfrigérateurs.** Le risque de choc électrique est plus élevé si votre corps se trouve mis à la terre.
- N'exposez pas les outils électriques à la pluie ou à l'eau.** La présence d'eau dans un outil électrique augmente le risque de choc électrique.

4. **Ne maltraitez pas le cordon. N'utilisez jamais le cordon pour transporter, tirer ou débrancher l'outil électrique. Maintenez le cordon à l'écart des sources de chaleur, de l'huile, des objets à bords tranchants et des pièces en mouvement.** Le risque de choc électrique est plus élevé lorsque les cordons sont endommagés ou enchevêtrés.
5. **Lorsque vous utilisez un outil électrique à l'extérieur, utilisez un cordon prolongateur conçu pour l'usage extérieur.** Les risques de choc électrique est moindre lorsqu'un cordon conçu pour l'usage extérieur est utilisé.
6. **Si vous devez utiliser un outil électrique dans un endroit humide, utilisez une source d'alimentation protégée par un disjoncteur de fuite à la terre.** L'utilisation d'un disjoncteur de fuite à la terre réduit le risque de choc électrique.
7. **Les outils électriques peuvent produire des champs électromagnétiques (CEM) qui ne sont pas préjudiciables à l'utilisateur.** Les utilisateurs de stimulateur cardiaque ou autres appareils médicaux similaires doivent toutefois demander conseil au fabricant et/ou à leur médecin avant d'utiliser cet outil électrique.
7. **Si des accessoires sont fournis pour raccorder un appareil d'aspiration et de collecte de la poussière, assurez-vous qu'ils sont correctement raccordés et qu'ils sont utilisés de manière adéquate.** L'utilisation d'un appareil de collecte permet de réduire les risques liés à la présence de poussière dans l'air.
8. **Évitez d'être complaisant et d'ignorer les principes de sécurité de l'outil en raison de la familiarité acquise par un usage fréquent des outils.** Un geste imprudent peut entraîner une grave blessure en une fraction de seconde.
9. **Portez toujours des lunettes à coques de protection pour protéger vos yeux contre les blessures lors de l'utilisation d'outils électriques. Les lunettes à coques doivent être conformes à ANSI Z87.1 aux États-Unis.** L'employeur a la responsabilité d'imposer l'utilisation d'équipements de protection de sécurité adéquats aux utilisateurs des outils électriques et à toute autre personne se trouvant dans la zone de travail immédiate.

Utilisation et entretien des outils électriques

Sécurité personnelle

1. **Restez alerte, attentif à vos mouvements et faites preuve de bon sens lorsque vous utilisez un outil électrique. N'utilisez pas les outils électriques si vous êtes fatigué ou avez pris une drogue, de l'alcool ou un médicament.** Un moment d'inattention pendant l'utilisation d'un outil électrique peut entraîner une grave blessure.
2. **Portez des dispositifs de protection personnelle. Portez toujours une protection oculaire.** Les risques de blessure seront moins élevés si vous utilisez des dispositifs de protection tels qu'un masque anti-poussière, des chaussures à semelle antidérapante, une coiffure résistante ou une protection d'oreilles.
3. **Évitez les démarrages accidentels. Assurez-vous que l'interrupteur est en position d'arrêt avant de brancher l'outil à la prise de courant et/ou au bloc-piles, et avant de prendre ou de transporter l'outil.** Vous ouvrez la porte aux accidents si vous transportez les outils électriques avec le doigt sur l'interrupteur ou si vous les branchez alors que l'interrupteur est en position de marche.
4. **Retirez toute clé de réglage ou de serrage avant de mettre l'outil électrique sous tension.** Toute clé laissée en place sur une pièce rotative de l'outil électrique peut entraîner une blessure.
5. **Ne vous étirez pas exagérément. Assurez-vous d'une bonne prise au sol et d'un bon équilibre en tout temps.** Cela vous permettra d'avoir une meilleure maîtrise de l'outil électrique dans les situations imprévues.
6. **Portez des vêtements adéquats. Ne portez ni vêtements amples ni bijoux. Gardez vos cheveux, vêtements et gants à l'écart des pièces en mouvement.** Les vêtements amples, bijoux ou cheveux longs peuvent être happés par les pièces en mouvement.
1. **Ne forcez pas l'outil électrique. Utilisez l'outil électrique adéquat suivant le type de travail à effectuer.** Si vous utilisez l'outil électrique adéquat et respectez le régime pour lequel il a été conçu, il effectuera un travail de meilleure qualité et plus sécuritaire.
2. **N'utilisez pas l'outil électrique s'il n'est pas possible de l'allumer et de l'éteindre avec son interrupteur.** Un outil électrique dont l'interrupteur est défectueux représente un danger et doit être réparé.
3. **Avant d'effectuer tout réglage, de remplacer un accessoire ou de ranger l'outil électrique, débranchez la fiche de la source d'alimentation et/ou retirez la batterie de l'outil électrique si elle est amovible.** Ces mesures préventives de sécurité réduisent les risques de démarrage accidentel de l'outil électrique.
4. **Après l'utilisation d'un outil électrique, rangez-le hors de portée des enfants et ne laissez aucune personne l'utiliser si elle n'est pas familiarisée avec l'outil électrique ou les présentes instructions d'utilisation.** Les outils électriques représentent un danger entre les mains de personnes qui n'en connaissent pas le mode d'utilisation.
5. **Effectuez l'entretien des outils électriques et des accessoires. Assurez-vous que les pièces mobiles ne sont pas désalignées ou coincées, qu'aucune pièce n'est cassée et que l'outil électrique n'a subi aucun dommage affectant son bon fonctionnement. Le cas échéant, faites réparer l'outil électrique avant de l'utiliser.** De nombreux accidents sont causés par des outils électriques mal entretenus.
6. **Maintenez les outils tranchants bien aiguisés et propres.** Un outil tranchant dont l'entretien est effectué correctement et dont les bords sont bien aiguisés risquera moins de se coincer et sera plus facile à maîtriser.

7. **Utilisez l'outil électrique, ses accessoires, ses embouts, etc., en respectant les présentes instructions, en tenant compte des conditions de travail et du type de travail à effectuer.** L'utilisation d'un outil électrique pour d'autres usages que ceux prévus peut entraîner une situation dangereuse.
8. **Gardez les poignées et surfaces de saisie sèches, propres et exemptes d'huile et de graisse.** Les poignées et surfaces de saisie glissantes ne permettent pas une manipulation sûre et une bonne maîtrise de l'outil dans les situations inattendues.
9. **Lors de l'utilisation de l'outil, ne portez pas de gants de travail en tissu qui risquent de s'enchevêtrer dans l'outil.** L'enchevêtrement de gants de travail en tissu dans les pièces en mouvement peut entraîner une blessure.

Utilisation et entretien des outils alimentés par batterie

1. **Pour recharger, utilisez uniquement le chargeur spécifié par le fabricant.** L'utilisation d'un chargeur conçu pour un type donné de bloc-piles comporte un risque d'incendie lorsqu'il est utilisé avec un autre type de bloc-piles.
2. **N'utilisez un outil électrique qu'avec les bloc-piles conçu spécifiquement pour cet outil.** Il y a risque de blessure ou d'incendie si un autre bloc-piles est utilisé.
3. **Lorsque vous n'utilisez pas le bloc-piles, rangez-le à l'écart des objets métalliques tels que trombones, pièces de monnaie, clés, clous, vis ou autres petits objets métalliques qui risqueraient d'établir une connexion entre les bornes.** La mise en court-circuit des bornes de batterie peut causer des brûlures ou un incendie.
4. **Dans des conditions d'utilisation inadéquates de la batterie, il peut y avoir fuite d'électrolyte; évitez tout contact avec ce liquide. En cas de contact accidentel, rincez avec beaucoup d'eau. Si le liquide pénètre dans vos yeux, il faut aussi consulter un médecin.** L'électrolyte qui s'échappe de la batterie peut causer des irritations ou des brûlures.
5. **N'utilisez pas une batterie ou un outil s'il est endommagé ou modifié.** Les batteries endommagées ou modifiées peuvent avoir un comportement imprévisible dont peut résulter un incendie, une explosion ou un risque de blessure.
6. **N'exposez pas une batterie ou un outil au feu ou à une température excessive.** L'exposition au feu ou à une température supérieure à 130 °C peut entraîner une explosion.
7. **Suivez toutes les instructions de charge et ne chargez pas la batterie ou l'outil à l'extérieur de la plage de température spécifiée dans les instructions.** Charger de manière inadéquate ou à des températures hors de la plage spécifiée peut endommager la batterie et augmenter le risque d'incendie.

Réparation

1. **Faites réparer votre outil électrique par un réparateur qualifié qui utilise des pièces de rechange identiques aux pièces d'origine.** Le maintien de la sûreté de l'outil électrique sera ainsi assuré.

2. **N'essayez jamais de réparer les batteries endommagées.** La réparation des batteries ne doit être effectuée que par le fabricant ou par un fournisseur de service après-vente agréé.
3. **Suivez les instructions de lubrification et de remplacement des accessoires.**
4. **Ne modifiez pas ou n'essayez pas de réparer l'appareil ou la batterie autrement que tel qu'indiqué dans les instructions d'utilisation et d'entretien.**

Consignes de sécurité pour le cloueur sans fil

1. **Tenez toujours pour acquis que l'outil contient des fixations.** Une mauvaise manipulation du cloueur peut causer le déclenchement accidentel de fixations et entraîner une blessure.
2. **Ne pointez jamais l'outil vers vous-même ou toute personne se trouvant près de vous.** En cas de déclenchement accidentel, une fixation sera éjectée et risque de causer une blessure.
3. **N'activez pas l'outil avant qu'il ne soit fermement placé contre la pièce.** Si l'outil n'est pas en contact avec la pièce, la fixation risque de dévier de sa cible.
4. **Débranchez l'outil de sa source d'alimentation lorsqu'une fixation se coince dans l'outil.** Branché, le cloueur risquerait de se déclencher accidentellement pendant que vous retirez la fixation coincée.
5. **Soyez prudent lorsque vous retirez une fixation coincée.** Le mécanisme peut être soumis à une forte pression et forcer l'éjection de la fixation pendant que vous essayez de la débloquer.
6. **N'utilisez pas ce cloueur pour fixer des câbles électriques.** Cet outil n'est pas conçu pour l'installation de câbles électriques; il pourrait endommager l'isolation des câbles, ce qui entraîne un risque de décharge électrique ou d'incendie.
7. **Gardez les mains et les pieds hors de portée de la zone du port d'éjection.**
8. **Suivez les instructions pour lubrifier et remplacer les accessoires.**
9. **Avant de charger des fixations, de procéder à un réglage, de faire une inspection, d'effectuer un entretien ou lorsque l'utilisation est terminée, retirez toujours la batterie.**
10. **Avant l'utilisation, assurez-vous que personne ne se trouve à proximité. Ne tentez jamais de poser des fixations de l'intérieur et de l'extérieur d'un mur simultanément.** Les fixations pourraient passer à travers et/ou voler au hasard, ce qui présente un grave danger.
11. **Regardez où vous mettez les pieds et assurez-vous d'une prise équilibrée sur l'outil.** Assurez-vous qu'il n'y a personne en bas lorsque vous travaillez dans des endroits élevés.
12. **N'utilisez jamais les outils de pose de fixations qui portent le symbole « Ne pas utiliser dans les échafaudages et les échelles » pour des applications spécifiques telles que :**

Consignes de sécurité importantes pour la batterie

- lorsque le déplacement d'un emplacement de pose à un autre implique l'utilisation d'échafaudages, d'escaliers, d'échelles ou autres structures similaires aux échelles, p. ex. les lattes de toit;
 - pour fermer des boîtes ou des caisses;
 - pour poser des dispositifs de sécurité pour le transport, p. ex. sur des véhicules et wagons.
13. Vérifiez soigneusement les murs, plafonds, planchers, toits et surfaces similaires pour éviter les risques de choc électrique, de fuite de gaz, d'explosion, etc., causés par l'agrafage sur des fils exposés, des conduits ou des tuyaux de gaz.
 14. Utilisez uniquement les fixations spécifiées dans ce manuel. L'utilisation de tout autre type de fixations peut causer le dysfonctionnement de l'outil.
 15. Ne modifiez pas l'outil et ne tentez pas de l'utiliser pour autre chose que poser des fixations.
 16. N'utilisez pas l'outil sans fixations. Cela réduit la durée de vie de l'outil.
 17. Cessez immédiatement le travail de pose si vous constatez une anomalie ou un fonctionnement inhabituel de l'outil.
 18. Ne posez jamais de fixations dans des matériaux qu'elles risquent de percer et de traverser comme un projectile.
 19. N'activez jamais en même temps la gâchette et l'élément de contact avant d'être prêt à fixer les pièces. Laissez la pièce à travailler enfoncer l'élément de contact. N'empêchez jamais l'élément de contact de fonctionner en le fixant ou en l'enfonçant manuellement.
 20. Ne modifiez jamais l'élément de contact. Vérifiez régulièrement le bon fonctionnement de l'élément de contact.
 21. Retirez toujours les fixations de l'outil lorsque vous ne l'utilisez pas.

CONSERVEZ CES INSTRUCTIONS.

⚠ MISE EN GARDE : NE vous laissez PAS tromper (au fil d'une utilisation répétée) par un sentiment d'aisance ou de familiarité avec le produit en négligeant les consignes de sécurité qui accompagnent le produit. **UNE UTILISATION INCORRECTE** ou le non-respect des règles de sécurité énoncées dans le présent manuel d'instructions peut provoquer des blessures graves.

Symboles

Les symboles utilisés pour l'outil sont indiqués ci-dessous.

V	volts
—	courant continu

1. Avant d'utiliser la batterie, lisez toutes les instructions et les mises en garde apposées sur (1) le chargeur de batterie, (2) la batterie et (3) le produit utilisant la batterie.
2. Ne démontez pas et ne modifiez pas la batterie. Cela peut entraîner un incendie, une chaleur excessive ou une explosion.
3. Cessez immédiatement l'utilisation si le temps de fonctionnement devient excessivement court. Il y a risque de surchauffe, de brûlures, voire d'explosion.
4. Si l'électrolyte pénètre dans vos yeux, rincez-les à l'eau claire et consultez immédiatement un médecin. Il y a risque de perte de la vue.
5. Ne court-circuitez pas la batterie :
 - (1) Ne touchez les bornes avec aucun matériau conducteur.
 - (2) Évitez de ranger la batterie dans un conteneur avec d'autres objets métalliques tels que clous, pièces de monnaie, etc.
 - (3) Évitez d'exposer la batterie à l'eau ou à la pluie.Un court-circuit de la batterie pourrait provoquer un fort courant, une surchauffe, parfois des brûlures et même une panne.
6. Ne rangez pas et n'utilisez pas l'outil ou la batterie dans des emplacements où la température peut atteindre ou dépasser 50 °C (122 °F).
7. Ne jetez pas la batterie au feu même si elle est sérieusement endommagée ou complètement épuisée. La batterie peut exploser au contact du feu.
8. Évitez de clouer, de couper, d'écraser, de lancer ou d'échapper la batterie, ou de heurter un objet dur contre la batterie. Cela peut entraîner un incendie, une chaleur excessive ou une explosion.
9. N'utilisez pas une batterie si elle est endommagée.
10. Les batteries lithium-ion fournies sont soumises aux exigences de la législation sur les marchandises dangereuses. Des exigences particulières sur l'emballage et l'étiquetage doivent être respectées lors du transport commercial par des tiers, des transitaires, etc. Pour préparer la marchandise à expédier, consultez un expert en matériaux dangereux si nécessaire. Respectez aussi les éventuelles réglementations nationales plus détaillées. Recouvrez de ruban isolant les contacts exposés, et emballez la batterie de sorte qu'elle ne puisse pas se déplacer à l'intérieur de l'emballage.
11. Lors de l'élimination de la batterie, retirez-la de l'outil et éliminez-la dans un endroit sûr. Respectez la réglementation locale concernant l'élimination de la batterie.

12. **N'utilisez les batteries qu'avec les produits spécifiés par Makita.** Installer les batteries sur des produits non conformes peut entraîner un incendie, une chaleur excessive, une explosion ou une fuite d'électrolyte.
13. **Si l'outil reste inutilisé pour une période prolongée, la batterie doit en être retirée.**
14. **Pendant et après l'utilisation, la batterie peut accumuler de la chaleur, ce qui peut causer des brûlures ou des brûlures à basse température.** Faites attention lors de la manipulation des batteries chaudes.
15. **Ne touchez pas la borne de l'outil immédiatement après l'utilisation, car elle peut être assez chaude pour causer des brûlures.**
16. **Ne laissez pas les copeaux, les poussières ou la terre se coincer dans les bornes, les trous et les rainures de la batterie.** Cela pourrait causer un réchauffement, un incendie, un éclatement et une défaillance de l'outil ou de la batterie et entraîner des brûlures ou des blessures corporelles.
17. **À moins que l'outil ne soit compatible avec l'utilisation à proximité des lignes électriques haute tension, n'utilisez pas la batterie à proximité d'une ligne électrique haute tension.** Cela peut entraîner un dysfonctionnement ou une panne de l'outil ou de la batterie.
18. **Gardez la batterie à l'écart des enfants.**

CONSERVEZ CES INSTRUCTIONS.

ATTENTION : Utilisez exclusivement les batteries fabriquées par Makita. Les batteries autres que celles fabriquées par Makita ou les batteries modifiées peuvent exploser et causer un incendie, une blessure ou des dommages. Cela annule aussi la garantie Makita de l'outil et du chargeur Makita.

Conseils pour maintenir la durée de service maximale de la batterie

1. **Rechargez la batterie avant qu'elle ne soit complètement déchargée. Arrêtez toujours l'outil et rechargez la batterie quand vous remarquez que la puissance de l'outil diminue.**
2. **Ne rechargez jamais une batterie complètement chargée. La surcharge réduit la durée de service de la batterie.**
3. **Chargez la batterie à une température ambiante comprise entre 10 °C et 40 °C (50 °F et 104 °F).** Si la batterie est chaude, laissez-la refroidir avant de la charger.
4. **Lorsque vous n'utilisez pas la batterie, retirez-la de l'outil ou du chargeur.**
5. **Chargez la batterie si elle est restée inutilisée pendant une période prolongée (plus de six mois).**

DESCRIPTION DU FONCTIONNEMENT

ATTENTION : Assurez-vous toujours que l'outil est éteint et que sa batterie est retirée avant de l'ajuster ou de vérifier son fonctionnement.

Installation ou retrait de la batterie

ATTENTION : Éteignez toujours l'outil avant d'installer ou de retirer la batterie.

ATTENTION : Tenez fermement l'outil et la batterie lors de l'installation ou du retrait de cette dernière. Si l'outil et la batterie ne sont pas tenus fermement, ils risquent de vous glisser des mains et de subir des dommages, ou encore de vous blesser.

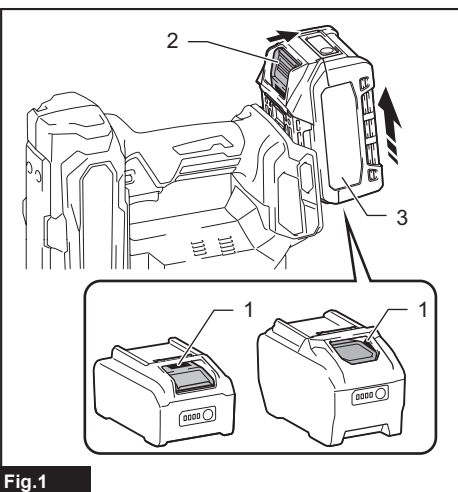


Fig.1

► 1. Indicateur rouge 2. Bouton 3. Batterie

Pour retirer la batterie, faites-la glisser hors de l'outil tout en glissant le bouton qui se trouve à l'avant.

Pour installer la batterie, alignez sa languette sur la rainure pratiquée dans le boîtier et glissez la batterie en place. Insérez-la à fond jusqu'à ce que vous entendiez un léger déclic. Si vous pouvez voir l'indicateur rouge tel qu'illustré sur la figure, cela signifie qu'elle n'est pas complètement verrouillée.

ATTENTION : Installez toujours la batterie à fond jusqu'à ce que vous ne puissiez plus voir l'indicateur rouge. Autrement elle risque de tomber accidentellement de l'outil et d'entraîner des blessures.

ATTENTION : Ne forcez pas sur la batterie pour l'installer. Si la batterie ne glisse pas facilement, c'est qu'elle n'est pas insérée correctement.

Dispositif de protection de l'outil et de la batterie

L'outil est équipé d'un système de protection d'outil/batterie. Ce système coupe automatiquement l'alimentation du moteur pour augmenter la durée de vie de l'outil et de la batterie. L'outil s'arrête automatiquement pendant l'utilisation lorsque l'outil ou la batterie est dans l'une des situations suivantes :

Protection contre la surcharge

Lorsque l'outil ou la batterie est utilisé d'une manière qui lui fait consommer un courant anormalement élevé, l'outil s'arrête automatiquement, sans indication. Il faut alors éteindre l'outil et cesser l'application qui cause la surcharge. Rallumez ensuite l'outil pour redémarrer.

Protection contre la surchauffe

Lorsque l'outil ou la batterie surchauffe, l'outil s'arrête automatiquement. Il faut alors laisser refroidir l'outil ou la batterie avant de rallumer l'outil.

Protection contre la décharge excessive

Lorsque la charge de la batterie est insuffisante, l'outil s'arrête automatiquement. Dans ce cas, retirez la batterie de l'outil et chargez la batterie.

Affichage de la charge restante de la batterie

Appuyez sur le bouton de vérification de la batterie pour afficher la charge restante de la batterie. Les témoins indicateurs s'allument pendant quelques secondes.

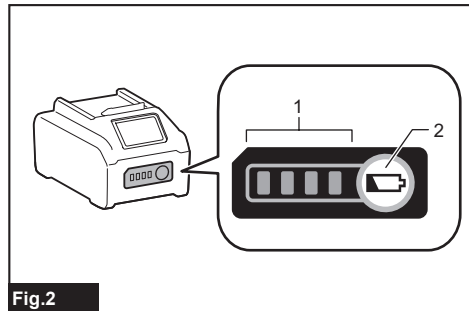


Fig.2

► 1. Témoins indicateurs 2. Bouton de vérification

Témoins indicateurs			Charge restante
Allumé	Éteint	Clignotant	
■ ■ ■ ■	□ □ □ □	□ □ □ □	75 % à 100 %
■ ■ ■ □	□ □ □ □	□ □ □ □	50 % à 75 %
■ ■ □ □	□ □ □ □	□ □ □ □	25 % à 50 %
■ □ □ □	□ □ □ □	□ □ □ □	0 % à 25 %
■ □ □ □	□ □ □ □	□ □ □ □	Chargez la batterie.
■ ■ □ □	□ □ □ □	□ □ □ □	La batterie a peut-être mal fonctionné.
□ □ □ □	□ □ □ □	■ ■ □ □	

NOTE : Suivant les conditions d'utilisation et la température ambiante, il se peut que l'indication soit légèrement différente de la charge réelle.

NOTE : La première lampe témoin (à l'extrémité gauche) clignote lorsque le dispositif de protection de la batterie s'active.

Bouton de verrouillage de la gâchette

ATTENTION : Avant d'insérer la batterie dans l'outil, vérifiez toujours que la gâchette fonctionne bien et revient en position d'arrêt lorsque libérée.

ATTENTION : Lorsque vous n'utilisez pas l'outil, enfoncez le bouton de verrouillage de la gâchette du côté B pour verrouiller la gâchette sur la position d'arrêt.

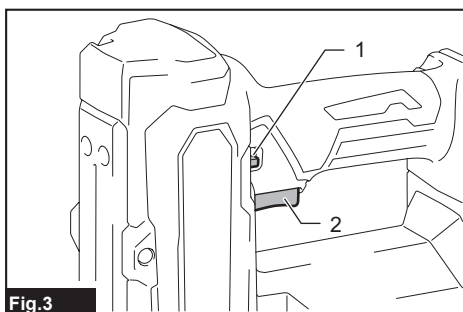


Fig.3

► 1. Bouton de verrouillage de la gâchette 2. Gâchette

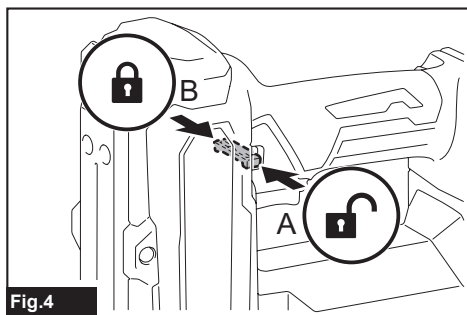


Fig.4

L'outil est équipé d'un bouton de verrouillage de la gâchette pour prévenir l'activation accidentelle de la gâchette. Pour appuyer sur la gâchette, enfoncez le bouton de verrouillage de la gâchette du côté A. Après l'utilisation, enfoncez toujours le bouton de verrouillage de la gâchette du côté B.

Réglage de la profondeur de clouage

⚠ MISE EN GARDE : Avant de régler la profondeur de clouage, assurez-vous toujours de ne pas avoir les doigts sur la gâchette ou sur l'élément de contact, et que la batterie est retirée.

La profondeur de clouage peut être réglée en tournant le régleur sur l'outil. Le clou est entraîné plus profondément à mesure que vous tournez le régleur dans le sens A indiqué sur la figure, et moins profondément à mesure que vous le tournez dans le sens B, sur une plage maximale de 2,5 mm (3/32").

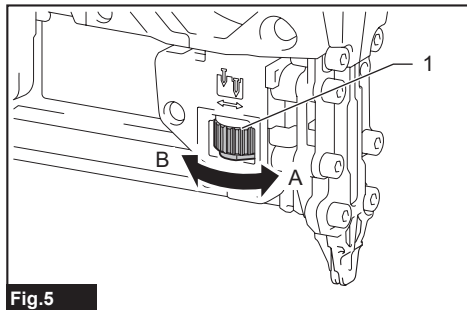


Fig.5

► 1. Régleur

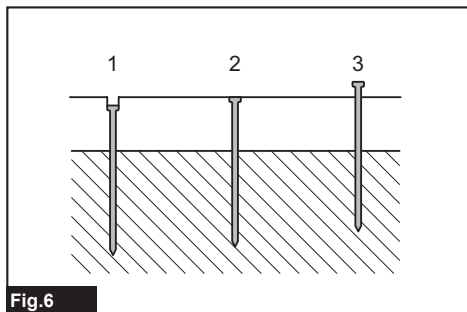


Fig.6

► 1. Trop profond 2. Bonne profondeur 3. Pas assez profond

Allumer la lampe

⚠ ATTENTION : Évitez de regarder directement le faisceau lumineux ou sa source.

Appuyez sur la gâchette ou activez l'élément de contact pour allumer la lampe. La lampe reste allumée, jusqu'à 60 secondes, tant que vous appuyez sur la gâchette ou activez l'élément de contact. La lampe s'éteint au bout d'environ 10 secondes après la libération de la gâchette et de l'élément de contact.

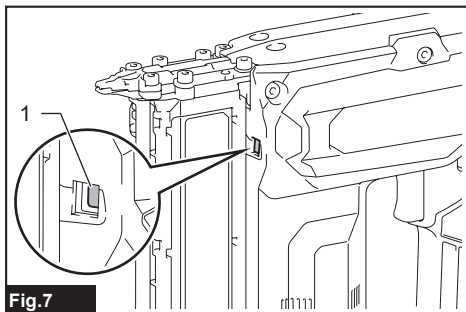


Fig.7

► 1. Lampe

AVIS : Utilisez un linge sec pour enlever les poussières sur la lentille de la lampe. Prenez garde de rayer la lentille de la lampe, car cela peut affecter son intensité d'éclairage.

AVIS : Même si la lampe s'allume lorsque la charge restante de la batterie devient faible, il se peut que le cloueur ne déclenche pas de clous. Le cas échéant, chargez la batterie.

AVIS : Lorsque l'outil surchauffe, la lumière clignote. Le cas échéant, libérez la gâchette et l'élément de contact, puis laissez refroidir l'outil et la batterie avant de reprendre l'utilisation.

AVIS : La lampe se met à clignoter si le cloueur détecte une erreur pendant la pose du clou. Le cas échéant, apportez le cloueur dans un centre de service d'usine.

ASSEMBLAGE

⚠ ATTENTION : Avant d'effectuer tout travail sur le cloueur, veillez à ne jamais avoir les doigts sur la gâchette ou sur l'élément de contact, et vérifiez que la batterie est retirée.

Chargement et déchargement des clous

⚠ ATTENTION : Avant de charger le cloueur, assurez-vous toujours de ne pas avoir les doigts sur la gâchette et que la batterie est retirée.

⚠ ATTENTION : Ne faites pas glisser brusquement la porte coulissante du cloueur chargé de clous. La chute accidentelle de clous, notamment lorsque vous travaillez dans des emplacements élevés, peut causer des blessures.

⚠ ATTENTION : Chargez les clous dans le bon sens. Le chargement dans le mauvais sens peut causer l'usure prématurée du dispositif d'entraînement et endommager les autres pièces.

⚠ ATTENTION : N'utilisez pas de bandes de clous déformées. Utilisez les clous spécifiés dans ce manuel. L'utilisation de clous autres que ceux spécifiés peut causer un bourrage de clous et une rupture du cloueur.

1. Appuyez sur le levier de verrouillage et ouvrez la porte coulissante du magasin.

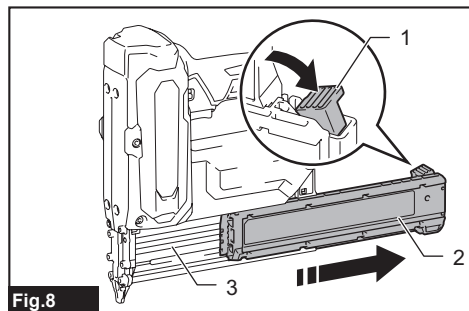


Fig.8

1. Levier de verrouillage 2. Porte coulissante 3. Magasin

2. Mettez en place une bande de clous de sorte que l'extrémité des clous touche le fond du magasin, et faites glisser la bande de clous vers le guide d'entraînement.

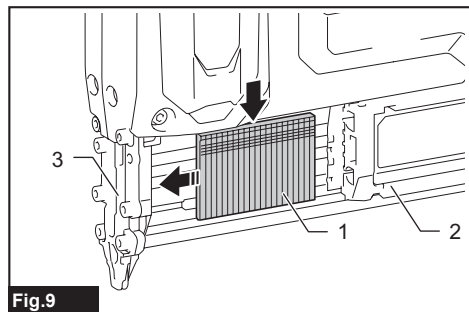


Fig.9

1. Clous 2. Porte coulissante 3. Guide d'entraînement

3. Ramenez la porte coulissante sur sa position originale jusqu'à ce que le levier de verrouillage la verrouille.

Pour retirer les clous, appuyez sur le levier de verrouillage et faites glisser la porte coulissante. Retirez les clous du magasin.

Adaptateur de bec

⚠ ATTENTION : Avant d'installer l'adaptateur de bec, assurez-vous toujours de ne pas avoir les doigts sur la gâchette ou sur l'élément de contact, et que la batterie est retirée.

Utilisez l'adaptateur de bec lorsque vous posez des clous sur un matériau dont la surface s'abîme facilement. Mettez l'adaptateur sur l'extrémité pointue du guide d'entraînement.

Pour éviter de perdre l'adaptateur de bec, vous pouvez le ranger dans le support à l'extrémité arrière du magasin.

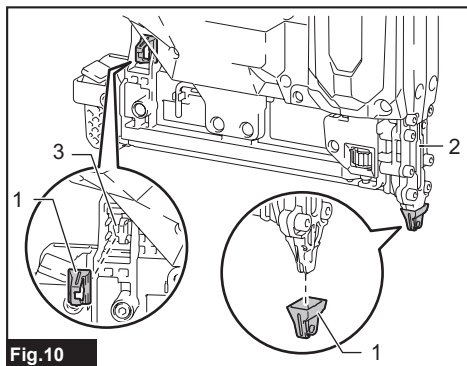


Fig.10

1. Adaptateur de bec 2. Guide d'entraînement 3. Support

Crochet

⚠ ATTENTION : Lorsque vous installez le crochet, fixez-le toujours fermement avec la vis. Autrement, le crochet risque de se détacher de l'outil et de causer une blessure.

⚠ ATTENTION : N'utilisez les pièces de suspension/montage qu'aux fins pour lesquelles elles sont prévues. L'utilisation à toute fin non prévue peut entraîner un accident ou une blessure.

⚠ ATTENTION : N'accrochez pas l'outil à un ceinturon. Si vous laissez tomber le cloueur, ce qui peut se produire si le crochet se déplace accidentellement, cela pourrait causer un déclenchement involontaire et entraîner des blessures.

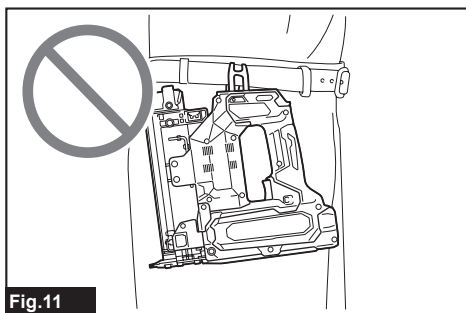


Fig.11

L'outil est équipé d'un crochet pratique qui permet de le suspendre temporairement. Il s'installe d'un côté comme de l'autre de l'outil.
 Pour installer le crochet, insérez-le dans la rainure d'un côté ou de l'autre du carter de l'outil, puis serrez-le avec une vis. Pour le retirer, desserrez la vis et enlevez-la.

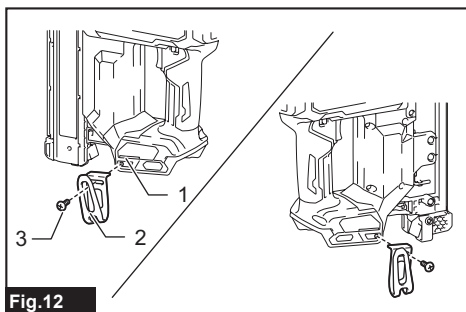


Fig.12

► 1. Rainure 2. Crochet 3. Vis

Rangement de la clé hexagonale

Lorsque vous ne l'utilisez pas, rangez la clé hexagonale tel qu'illustré sur la figure pour éviter de la perdre.

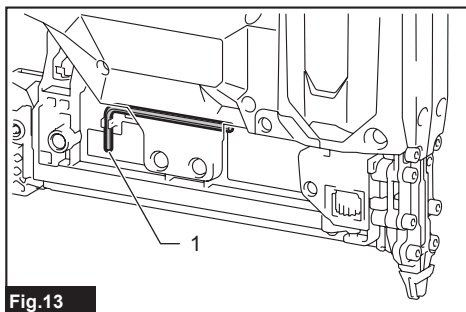


Fig.13

► 1. Clé hexagonale

UTILISATION

Vérification du dispositif de sécurité

⚠ MISE EN GARDE : Avant l'utilisation, assurez-vous que tous les dispositifs de sécurité fonctionnent correctement. Autrement il y a risque de blessures.

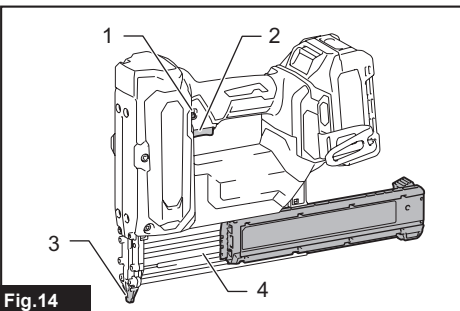


Fig.14

► 1. Bouton de verrouillage de la gâchette 2. Gâchette 3. Élément de contact 4. Magasin

Avant l'utilisation, procédez comme suit pour vérifier que tous les dispositifs de sécurité fonctionnent correctement.

1. Déchargez les clous de l'outil et laissez le magasin ouvert.
2. Installez la batterie et libérez le verrou de la gâchette.
3. Appuyez sur la gâchette sans placer l'élément de contact contre le matériau.
4. Placez l'élément de contact contre le matériau, sans appuyer sur la gâchette.

Si l'outil se déclenche dans le cas 3 ou 4 ci-dessus, cela signifie que les dispositifs de sécurité sont défectueux. Cessez immédiatement d'utiliser l'outil et informez-vous auprès de votre centre de service après-vente local.

Pose des clous

⚠ MISE EN GARDE : N'utilisez pas ce cloueur pour fixer des câbles électriques. Cet outil n'est pas conçu pour l'installation de câbles électriques; il pourrait endommager l'isolation des câbles, ce qui entraîne un risque de décharge électrique ou d'incendie.

⚠ MISE EN GARDE : Maintenez fermement l'élément de contact contre le matériau jusqu'à ce que le clou soit complètement enfoncé. Un déclenchement involontaire pourrait causer des blessures.

⚠ ATTENTION : Tenez l'outil fermement pendant l'utilisation.

1. Libérez le verrou de la gâchette.
2. Mettez l'élément de contact à plat contre le matériau.

3. Enfoncez complètement la gâchette pour poser un clou.

4. Pour poser le clou suivant, enlevez d'abord votre doigt de la gâchette, puis répétez les étapes 2 et 3 ci-dessus.

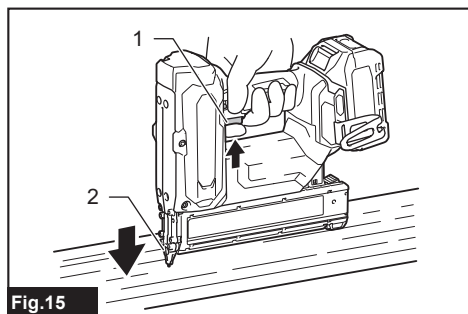


Fig.15

► 1. Gâchette 2. Élément de contact

Vous pouvez également poser les clous en glissant l'outil jusqu'à l'emplacement suivant en maintenant l'élément de contact appuyé contre le matériau puis en appuyant sur la gâchette.

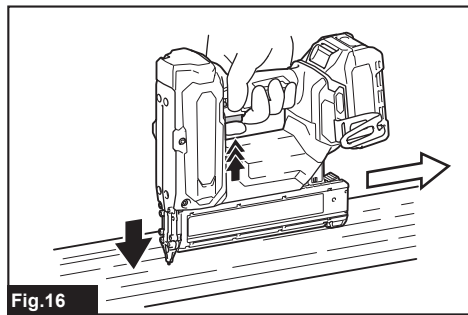


Fig.16

Si la tête du clou reste au-dessus de la surface de la pièce, posez le clou en maintenant la tête du cloueur fermement contre la pièce.

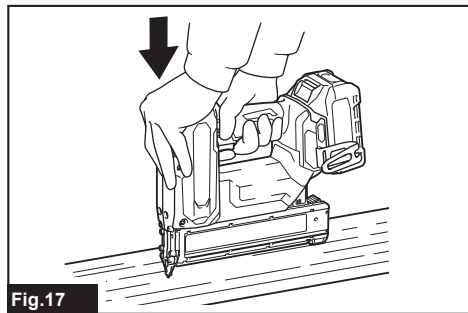


Fig.17

NOTE : Si la tête du clou reste toujours au-dessus de la pièce même si vous maintenez la tête du cloueur, il se peut que le matériau ne convienne pas au cloueur. Continuer d'utiliser le cloueur sur un tel matériau peut entraîner l'endommagement du dispositif d'entraînement du cloueur et/ou un bourrage du cloueur.

Mécanisme de prévention du déclenchement à vide

⚠ MISE EN GARDE : Avant de charger le cloueur, assurez-vous toujours de ne pas avoir les doigts sur la gâchette ou sur l'élément de contact, et que la batterie est retirée.

Lorsqu'il ne reste plus de clous dans le magasin, il n'est plus possible d'appuyer sur la gâchette. Insérez alors une nouvelle bande de clous dans le magasin. Vous pouvez de nouveau appuyer sur la gâchette.

Vérification des clous restants

Vous pouvez vérifier la quantité de clous restants par la fenêtre. Le voyant rouge se déplace vers l'ouverture de déclenchement à mesure que le nombre de clous restants diminue.

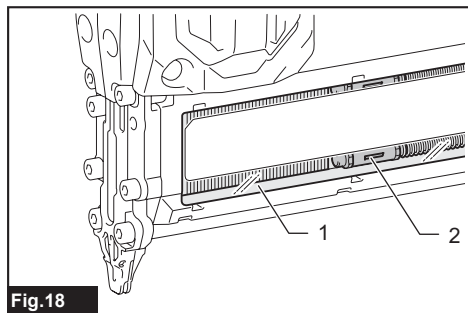


Fig.18

► 1. Fenêtre 2. Voyant

Retrait des clous coincés

⚠ MISE EN GARDE : Avant de retirer les clous coincés, assurez-vous toujours que la gâchette est relâchée et que la batterie et les clous sont retirés.

⚠ ATTENTION : Ne retirez pas les clous coincés à mains nues. Le clou risquerait de sauter hors du magasin et de causer une blessure.

Retirez les boulons hexagonaux du guide d'entraînement à l'aide de la clé hexagonale. Enlevez les clous coincés dans la rainure de guide-clou à l'aide d'un tournevis. Fixez le guide d'entraînement à l'aide des boulons hexagonaux.

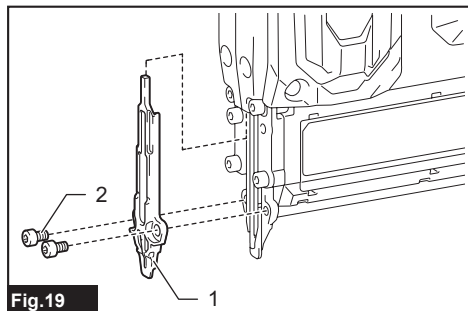


Fig.19

► 1. Guide d'entraînement 2. Boulon hexagonal

NOTE : Après avoir fixé le guide d'entraînement, assurez-vous toujours qu'il s'active correctement. Dans le cas contraire, retirez les boulons hexagonaux et réinstallez le guide d'entraînement.

ENTRETIEN

⚠ATTENTION : Assurez-vous toujours que l'outil est hors tension et que la batterie est retirée avant d'y effectuer tout travail d'inspection ou d'entretien.

AVIS : N'utilisez jamais d'essence, de benzine, de solvant, d'alcool ou autres produits similaires. Une décoloration, une déformation ou la formation de fissures peuvent en découler.

Pour maintenir la SÉCURITÉ et la FIABILITÉ du produit, les réparations et tout autre travail d'entretien ou de réglage doivent être effectués dans un centre de service après-vente autorisé ou une usine Makita, exclusivement avec des pièces de rechange Makita.

Remplacement du guide d'entraînement

Accessoire en option

Remplacez le guide d'entraînement standard par un guide d'entraînement en option mieux adapté au clouage du bois mou.

1. Retirez les boulons hexagonaux du guide d'entraînement à l'aide de la clé hexagonale.

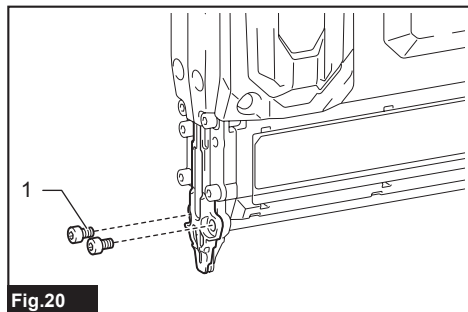


Fig.20

► 1. Boulon hexagonal

2. Tirez le guide d'entraînement standard vers le bas.

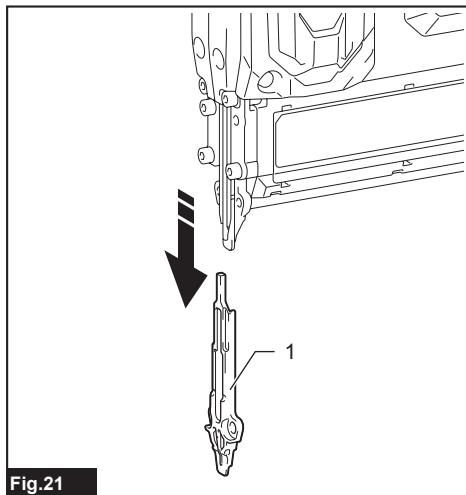


Fig.21

► 1. Guide d'entraînement standard

3. Installez le guide d'entraînement en option en le poussant vers le haut dans la fente de guidage.

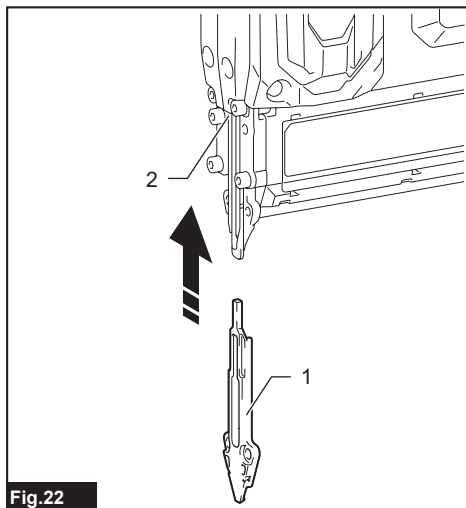


Fig.22

► 1. Guide d'entraînement en option 2. Fente de guidage

4. Fixez le guide d'entraînement en option à l'aide des boulons hexagonaux.

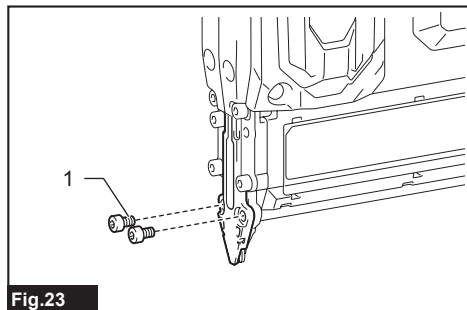


Fig.23

- 1. Boulon hexagonal

ACCESSOIRES EN OPTION

⚠ ATTENTION : Ces accessoires ou pièces complémentaires sont recommandés pour l'utilisation avec l'outil Makita spécifié dans ce manuel. L'utilisation de tout autre accessoire ou pièce complémentaire peut comporter un risque de blessure. N'utilisez les accessoires ou pièces complémentaires qu'aux fins auxquelles ils ont été conçus.

Si vous désirez obtenir plus de détails sur ces accessoires, veuillez contacter le centre de service après-vente Makita le plus près.

- Clous
- Guide d'entraînement (pour le clouage du bois mou)
- Chargeur et batterie authentiques Makita

NOTE : Certains éléments de la liste peuvent être inclus avec l'outil comme accessoires standards. Ils peuvent varier suivant les pays.

GARANTIE LIMITÉE MAKITA

Pour les conditions de garantie en vigueur qui s'appliquent à ce produit, veuillez vous reporter à la feuille de garantie en annexe. Si la feuille de garantie en annexe n'est pas disponible, reportez-vous aux détails de la garantie présentés sur le site Web de votre pays, ci-dessous.

États-Unis d'Amérique: www.makitatools.com

Canada: www.makita.ca

Autres pays: www.makita.com

ESPECIFICACIONES

Modelo:	FN001G
Tamaño del clavo	Calibre 18 x 15 mm, 20 mm, 25 mm, 30 mm, 35 mm, 40 mm (calibre 18 x 5/8", 3/4", 1", 1-3/16", 1-3/8", 1-5/8")
Capacidad del cartucho de clavos	100 pzas.
Dimensiones con el BL4025, sin el gancho (La x An x Al)	265 mm x 86 mm x 243 mm (10-3/8" x 3-3/8" x 9-9/16")
Tensión nominal	C.c. 36 V a 40 V máx.
Peso neto	2,6 kg - 3,2 kg (5,7 lbs - 7,1 lbs)

- Debido a nuestro continuo programa de investigación y desarrollo, las especificaciones aquí incluidas están sujetas a cambio sin previo aviso.
- Las especificaciones y el cartucho de batería pueden variar de país a país.
- El peso puede variar en función de los accesorios, incluido el cartucho de batería. En la tabla se muestra la combinación de peso más ligero y más pesado conforme al procedimiento 01/2014 de EPTA.

Cartucho de batería y cargador aplicables

Cartucho de batería	BL4020* / BL4025* / BL4040 / BL4050F * : Batería recomendada
Cargador	DC40RA / DC40RB / DC40RC

- Algunos de los cartuchos de batería y cargadores enumerados arriba podrían no estar disponibles dependiendo de su área de residencia.

⚠ ADVERTENCIA: Use únicamente los cartuchos de batería y los cargadores indicados arriba. El uso de cualquier otro cartucho de batería y cargador podría ocasionar una lesión y/o un incendio.

ADVERTENCIAS DE SEGURIDAD

Advertencias generales de seguridad para herramientas eléctricas

⚠ ADVERTENCIA: Lea todas las advertencias de seguridad, instrucciones, ilustraciones y especificaciones suministradas con esta herramienta eléctrica. El no seguir todas las instrucciones indicadas a continuación podría ocasionar una descarga eléctrica, incendio y/o lesiones graves.

Conserve todas las advertencias e instrucciones como referencia en el futuro.

En las advertencias, el término "herramienta eléctrica" se refiere a su herramienta eléctrica de funcionamiento con conexión a la red eléctrica (con cableado eléctrico) o herramienta eléctrica de funcionamiento a batería (inalámbrica).

Seguridad en el área de trabajo

1. **Mantenga el área de trabajo limpia y bien iluminada.** Las áreas oscuras o desordenadas son propensas a accidentes.

2. **No utilice las herramientas eléctricas en atmósferas explosivas, tal como en la presencia de líquidos, gases o polvo inflamables.** Las herramientas eléctricas crean chispas que pueden prender fuego al polvo o los humos.
3. **Mantenga a los niños y curiosos alejados mientras utiliza una herramienta eléctrica.** Las distracciones le pueden hacer perder el control.

Seguridad eléctrica

1. **Las clavijas de conexión de las herramientas eléctricas deberán encajar perfectamente en la toma de corriente. No modifique nunca la clavija de conexión de ninguna forma. No utilice ninguna clavija adaptadora con herramientas eléctricas que tengan conexión a tierra (puesta a tierra).** La utilización de clavijas no modificadas y que encajen perfectamente en la toma de corriente reducirá el riesgo de que se produzca una descarga eléctrica.
2. **Evite tocar con el cuerpo superficies conectadas a tierra o puestas a tierra tales como tubos, radiadores, cocinas y refrigeradores.** Si su cuerpo es puesto a tierra o conectado a tierra existirá un mayor riesgo de que sufra una descarga eléctrica.
3. **No exponga las herramientas eléctricas a la lluvia ni a condiciones húmedas.** La entrada de agua en una herramienta eléctrica aumentará el riesgo de que se produzca una descarga eléctrica.

4. **No maltrate el cable. Nunca utilice el cable para transportar, jalar o desconectar la herramienta eléctrica.** Mantenga el cable alejado del calor, aceite, objetos cortantes o piezas móviles. Los cables dañados o enredados aumentan el riesgo de sufrir una descarga eléctrica.
5. **Cuando utilice una herramienta eléctrica en exteriores, utilice un cable de extensión apropiado para uso en exteriores.** La utilización de un cable apropiado para uso en exteriores reducirá el riesgo de que se produzca una descarga eléctrica.
6. **Si no es posible evitar usar una herramienta eléctrica en condiciones húmedas, utilice un alimentador protegido con interruptor de circuito de falla a tierra (ICFT).** El uso de un ICFT reduce el riesgo de descarga eléctrica.
7. **Las herramientas eléctricas pueden producir campos electromagnéticos (CEM) que no son dañinos para el usuario.** Sin embargo, si los usuarios tienen marcapasos y otros dispositivos médicos similares, deberán consultar al fabricante de su dispositivo y/o a su médico antes de operar esta herramienta eléctrica.
7. **Si dispone de dispositivos para la conexión de equipos de extracción y recolección de polvo, asegúrese de conectarlos y utilizarlos debidamente.** Hacer uso de la recolección de polvo puede reducir los riesgos relacionados con el polvo.
8. **No permita que la familiaridad adquirida debido al uso frecuente de las herramientas haga que se sienta confiado e ignore los principios de seguridad de las herramientas.** Un descuido podría ocasionar una lesión grave en una fracción de segundo.
9. **Utilice siempre gafas protectoras para proteger sus ojos de lesiones al usar herramientas eléctricas.** Las gafas deben cumplir con la Norma ANSI Z87.1 en EUA. Es responsabilidad del empleador imponer el uso de equipos protectores de seguridad apropiados a los operadores de la herramienta y demás personas cerca del área de trabajo.

Mantenimiento y uso de la herramienta eléctrica

1. **No fuerce la herramienta eléctrica. Utilice la herramienta eléctrica correcta para su aplicación.** La herramienta eléctrica adecuada hará un mejor trabajo y de forma más segura a la velocidad para la que ha sido fabricada.
 2. **No utilice la herramienta eléctrica si el interruptor no la enciende y apaga.** Cualquier herramienta eléctrica que no pueda ser controlada con el interruptor es peligrosa y debe ser reemplazada.
 3. **Desconecte la clavija de la fuente de alimentación y/o retire la batería de la herramienta eléctrica, en caso de ser removible, antes de realizar ajustes, cambiar accesorios o almacenar las herramientas eléctricas.** Tales medidas de seguridad preventivas reducirán el riesgo de poner en marcha la herramienta eléctrica de forma accidental.
 4. **Guarde la herramienta eléctrica que no use fuera del alcance de los niños y no permita que las personas que no están familiarizadas con ella o con las instrucciones la operen.** Las herramientas eléctricas son peligrosas en manos de personas que no saben operarlas.
 5. **Dé mantenimiento a las herramientas eléctricas y los accesorios. Compruebe que no haya piezas móviles desalineadas o estancadas, piezas rotas y cualquier otra condición que pueda afectar al funcionamiento de la herramienta eléctrica.** Si la herramienta eléctrica está dañada, haga que la reparen antes de utilizarla. Muchos de los accidentes son ocasionados por no dar un mantenimiento adecuado a las herramientas eléctricas.
 6. **Mantenga las herramientas de corte limpias y filosas.** Si recibe un mantenimiento adecuado y tiene los bordes afilados, es probable que la herramienta se atasque menos y sea más fácil controlarla.
 7. **Utilice la herramienta eléctrica, los accesorios y las brocas de acuerdo con estas instrucciones, considerando las condiciones laborales y el trabajo a realizar.** Si utiliza la herramienta eléctrica para realizar operaciones distintas de las indicadas, podrá presentarse una situación peligrosa.
- #### Seguridad personal
1. **Manténgase alerta, preste atención a lo que está haciendo y utilice su sentido común cuando opere una herramienta eléctrica. No utilice una herramienta eléctrica cuando esté cansado o bajo la influencia de drogas, alcohol o medicamentos.** Un momento de distracción mientras opera las herramientas eléctricas puede terminar en una lesión grave.
 2. **Use equipo de protección personal. Póngase siempre protección para los ojos.** El equipo protector tal como máscara contra el polvo, zapatos de seguridad antiderrapantes, casco rígido y protección para oídos utilizado en las condiciones apropiadas reducirá el riesgo de lesiones.
 3. **Impida el encendido accidental. Asegúrese de que el interruptor esté en la posición de apagado antes de conectar a la alimentación eléctrica y/o de colocar el cartucho de batería, así como al levantar o cargar la herramienta.** Cargar las herramientas eléctricas con su dedo en el interruptor o enchufarlas con el interruptor encendido hace que los accidentes sean comunes.
 4. **Retire cualquier llave de ajuste o llave de apriete antes de encender la herramienta.** Una llave de ajuste o llave de apriete que haya sido dejada puesta en una parte giratoria de la herramienta eléctrica puede ocasionar alguna lesión.
 5. **No utilice la herramienta donde no alcance. Mantenga los pies sobre suelo firme y el equilibrio en todo momento.** Esto permite un mejor control de la herramienta eléctrica en situaciones inesperadas.
 6. **Use una vestimenta apropiada. No use ropa suelta ni alhajas. Mantenga el cabello, la ropa y los guantes alejados de las piezas móviles.** Las prendas de vestir holgadas, las alhajas y el cabello largo suelto podrían engancharse en estas piezas móviles.

Advertencias de seguridad para la clavadora inalámbrica

8. **Mantenga los mangos y superficies de asimiento secos, limpios y libres de aceite o grasa.** Los mangos y superficies de asimiento resbalosos no permiten una manipulación segura ni el control de la herramienta en situaciones inesperadas.
9. **Cuando vaya a utilizar esta herramienta, evite usar guantes de trabajo de tela ya que éstos podrían atorarse.** Si los guantes de trabajo de tela llegan a atorarse en las piezas móviles, esto podría ocasionar lesiones personales.

Uso y cuidado de la herramienta a batería

1. **Recargue sólo con el cargador especificado por el fabricante.** Un cargador que es adecuado para un solo tipo de batería puede generar riesgo de incendio al ser utilizado con otra batería.
2. **Utilice las herramientas eléctricas solamente con las baterías designadas específicamente para ellas.** La utilización de cualquier otra batería puede crear un riesgo de lesiones o incendio.
3. **Cuando no se esté usando la batería, manténgala alejada de otros objetos metálicos, como sujetapapeles (clips), monedas, llaves, clavos, tornillos u otros objetos pequeños de metal los cuales pueden actuar creando una conexión entre las terminales de la batería.** Originar un cortocircuito en las terminales puede causar quemaduras o incendios.
4. **En condiciones abusivas, podrá escapar líquido de la batería; evite tocarlo. Si lo toca accidentalmente, enjuague con agua. Si hay contacto del líquido con los ojos, busque asistencia médica.** Puede que el líquido expulsado de la batería cause irritación o quemaduras.
5. **No utilice una herramienta ni una batería que estén dañadas o hayan sido modificadas.** Las baterías dañadas o modificadas podrían ocasionar una situación inesperada provocando un incendio, explosión o riesgo de lesiones.
6. **No exponga la herramienta ni la batería al fuego ni a una temperatura excesiva.** La exposición al fuego o a una temperatura superior a los 130 °C podría causar una explosión.
7. **Siga todas las instrucciones para la carga y evite cargar la herramienta o la batería fuera del rango de temperatura especificado en las instrucciones.** Una carga inadecuada o a una temperatura fuera del rango especificado podría dañar la batería e incrementar el riesgo de incendio.

Servicio

1. **Haga que una persona calificada repare la herramienta eléctrica utilizando sólo piezas de repuesto idénticas.** Esto asegura que se mantenga la seguridad de la herramienta eléctrica.
2. **Nunca dé servicio a baterías que estén dañadas.** El servicio a las baterías solamente deberá ser efectuado por el fabricante o un agente de servicio autorizado.
3. **Siga las instrucciones para la lubricación y cambio de accesorios.**
4. **No modifique ni intente reparar el aparato ni el paquete de baterías salvo como se indique en las instrucciones para el uso y cuidado.**

1. **Siempre asuma que la herramienta contiene clavos.** Un manejo descuidado de la clavadora puede provocar el disparo accidental de los clavos y ocasionar lesiones personales.
2. **No apunte la herramienta hacia usted mismo ni hacia otras personas que estén cerca.** Un accionamiento inesperado del gatillo descargará el clavo ocasionando una lesión.
3. **No active la herramienta a menos que esté colocada firmemente contra la pieza de trabajo.** Si la herramienta no está haciendo contacto con la pieza de trabajo, el clavo podría desviarse lejos de su objetivo.
4. **Desconecte la herramienta de la fuente de alimentación cuando el clavo se atasque en la herramienta.** Al extraer algún clavo que se haya atascado, la clavadora podría activarse accidentalmente si ésta se encuentra conectada.
5. **Tenga precaución al extraer un clavo atascado.** El mecanismo podría estar bajo compresión y el clavo podría descargarse con fuerza al intentar liberarlo del atascamiento.
6. **No utilice esta clavadora para fijar cables eléctricos.** Ésta no está diseñada para la instalación de cableado eléctrico y podría dañar el aislamiento de los cables eléctricos, originando en consecuencia peligros de descarga eléctrica o incendio.
7. **Mantenga las manos y los pies alejados del área del puerto de expulsión.**
8. **Siga las instrucciones para la lubricación y el cambio de accesorios.**
9. **Siempre retire el cartucho de batería antes de cargar los clavos, hacer un ajuste, realizar una inspección y dar mantenimiento, o tras haber finalizado la operación.**
10. **Asegúrese de que no haya nadie cerca antes de la operación. Nunca intente clavar clavos al mismo tiempo desde la parte interior y exterior de la pared. Los clavos podrían desgarrarla y/o salir volando, representando un grave peligro.**
11. **Esté atento a pisar sobre suelo firme y mantener el equilibrio con la herramienta. Asegúrese de que no haya nadie debajo cuando esté trabajando en lugares elevados.**
12. **Nunca utilice herramientas para clavar clavos marcadas con el símbolo de “No usar en andamios o escaleras” para aplicaciones específicas, por ejemplo:**
 - cambiar una ubicación de clavado a otra implica el uso de andamios, escalones, escaleras o construcciones similares a una escalera, por ejemplo listones para techos;
 - cerrar cajas o cajones;
 - instalar sistemas de seguridad de transporte, por ejemplo en vehículos y vagones.
13. **Revise cuidadosamente las paredes, techos, pisos, tejados y similares para evitar una posible descarga eléctrica, fuga de gas, explosiones, etc. a causa del engrapado en cables con corriente, conductos o tubos de gas.**

14. Utilice solamente los clavos especificados en este manual. El uso de cualquier otro clavo podría ocasionar una avería de la herramienta.
 15. No intente manipular indebidamente la herramienta ni procure usarla para otro fin que no sea clavar clavos.
 16. No opere la herramienta sin clavos. Esto acortará la vida útil de la herramienta.
 17. Detenga las operaciones de clavado de inmediato si nota algo malo o fuera de lo común con la herramienta.
 18. Nunca clave en materiales que puedan ser perforados por el clavo y donde pueda salir volando como un proyectil.
 19. Nunca active el gatillo interruptor y el elemento de contacto al mismo tiempo hasta que esté preparado para fijar las piezas de trabajo. Deje que la pieza de trabajo presione el elemento de contacto. Nunca anule su propósito fijando hacia atrás el elemento de contacto o presionándolo con la mano.
 20. Nunca manipule indebidamente el elemento de contacto. Verifique con frecuencia el elemento de contacto para realizar las operaciones de manera correcta.
 21. Siempre retire los clavos de la herramienta cuando no la esté utilizando.
3. Si el tiempo de operación se ha acortado en exceso, deje de operar de inmediato. Podría correrse el riesgo de sobrecalentamiento, posibles quemaduras e incluso explosión.
 4. En caso de que ingresen electrolitos en sus ojos, enjuáguelos bien con agua limpia y consulte de inmediato a un médico. Esto podría ocasionar pérdida de visión.
 5. Evite cortocircuitar el cartucho de batería:
 - (1) No toque las terminales con ningún material conductor.
 - (2) Evite guardar el cartucho de batería en un cajón junto con otros objetos metálicos, tales como clavos, monedas, etc.
 - (3) No exponga el cartucho de batería al agua o la lluvia.

Un cortocircuito en la batería puede causar un flujo grande de corriente, sobrecalentamiento, posibles quemaduras e incluso una descompostura.
 6. No guarde ni utilice la herramienta y el cartucho de batería en lugares donde la temperatura pueda alcanzar o exceder los 50 °C (122 °F).
 7. Nunca incinere el cartucho de batería incluso en el caso de que esté dañado seriamente o ya no sirva en absoluto. El cartucho de batería puede explotar si se tira al fuego.
 8. No clave, corte, aplaste, lance o deje caer el cartucho de batería, ni golpee un objeto sólido contra el cartucho de batería. Dicha acción podría resultar en un incendio, calor excesivo o en una explosión.
 9. No use una batería dañada.
 10. Las baterías de ión de litio están sujetas a los requisitos reglamentarios en materia de bienes peligrosos.

Para el transporte comercial, por ej., mediante terceros o agentes de transporte, se deben tomar en cuenta los requisitos especiales relativos al empaque y el etiquetado.

Para efectuar los preparativos del artículo que se va a enviar, se requiere consultar a un experto en materiales peligrosos. Si es posible, consulte además otras regulaciones nacionales más detalladas.

Pegue o cubra con cinta adhesiva los contactos abiertos y empaque la batería de manera que ésta no pueda moverse dentro del paquete.

GUARDE ESTAS INSTRUCCIONES.

⚠ ADVERTENCIA: NO DEJE que la comodidad o familiaridad con el producto (a base de utilizarlo repetidamente) evite que siga estrictamente las normas de seguridad para dicho producto. El USO INCORRECTO o el no seguir las normas de seguridad indicadas en este manual de instrucciones puede ocasionar lesiones graves.

Símbolos

A continuación se muestran los símbolos utilizados para la herramienta.

V	volts o voltios
— — —	corriente directa o continua

Instrucciones importantes de seguridad para el cartucho de batería

1. Antes de utilizar el cartucho de batería, lea todas las instrucciones e indicaciones de precaución en el (1) el cargador de batería, (2) la batería, y (3) el producto con el que se utiliza la batería.
2. No desarme ni modifique el cartucho de batería. Podría ocurrir un incendio, calor excesivo o una explosión.
11. Para deshacerse del cartucho de batería, sáquelo de la herramienta y deséchelo en un lugar seguro. Siga las regulaciones locales relacionadas al desecho de las baterías.
12. Utilice las baterías únicamente con los productos especificados por Makita. Instalar las baterías en productos que no cumplan con los requisitos podría ocasionar un incendio, un calentamiento excesivo, una explosión o una fuga de electrolito.
13. Si no se utiliza la herramienta por un período largo, debe extraerse la batería de la herramienta.

14. El cartucho de batería podría absorber calor durante y después de su uso, lo que ocasionaría quemaduras o quemaduras a baja temperatura. Tenga cuidado con la manipulación de los cartuchos de batería que estén calientes.
15. No toque el terminal de la herramienta inmediatamente después de su uso, ya que el mismo podría estar lo suficientemente caliente como para provocarle quemaduras.
16. No permita que las rebabas, el polvo o la tierra queden atrapados en los terminales, orificios y ranuras del cartucho de batería. Podría provocar calentamiento, incendio, explosión y mal funcionamiento de la herramienta o del cartucho de batería, lo que resultaría en quemaduras o lesiones personales.
17. No utilice el cartucho de batería cerca de cables eléctricos de alto voltaje, a menos que la herramienta sea compatible con el uso cercano a estos cables eléctricos de alto voltaje. Esto podría ocasionar una avería o descompostura de la herramienta o del cartucho de batería.
18. Mantenga la batería alejada de los niños.

GUARDE ESTAS INSTRUCCIONES.

PRECAUCIÓN: Utilice únicamente baterías originales de Makita. El uso de baterías no originales de Makita, o de baterías alteradas, puede ocasionar que las baterías exploten causando un incendio, lesiones personales y daños. Asimismo, esto invalidará la garantía de Makita para la herramienta y el cargador Makita.

Consejos para alargar al máximo la vida útil de la batería

1. Cargue el cartucho de batería antes de que se descargue completamente. Pare siempre la operación y cargue el cartucho de batería cuando note menos potencia en la herramienta.
2. No cargue nunca un cartucho de batería que esté completamente cargado. La sobrecarga acortará la vida de servicio de la batería.
3. Cargue el cartucho de batería a una temperatura ambiente de 10 °C - 40 °C (50 °F - 104 °F). Si un cartucho de batería está caliente, déjelo enfriar antes de cargarlo.
4. Cuando no utilice el cartucho de batería, sáquelo de la herramienta o del cargador.
5. Cargue el cartucho de batería si no va a utilizarlo durante un período prolongado (más de seis meses).

DESCRIPCIÓN DEL FUNCIONAMIENTO

PRECAUCIÓN: Asegúrese siempre de que la herramienta esté apagada y el cartucho de batería haya sido extraído antes de realizar cualquier ajuste o comprobación en la herramienta.

Instalación o extracción del cartucho de batería

PRECAUCIÓN: Apague siempre la herramienta antes de colocar o quitar el cartucho de batería.

PRECAUCIÓN: Sujete la herramienta y el cartucho de la batería con firmeza al colocar o quitar el cartucho de batería. Si no se sujeta con firmeza la herramienta y el cartucho de batería, puede ocasionar que se resbalen de sus manos causando daños a la herramienta y al cartucho de batería, así como lesiones a la persona.

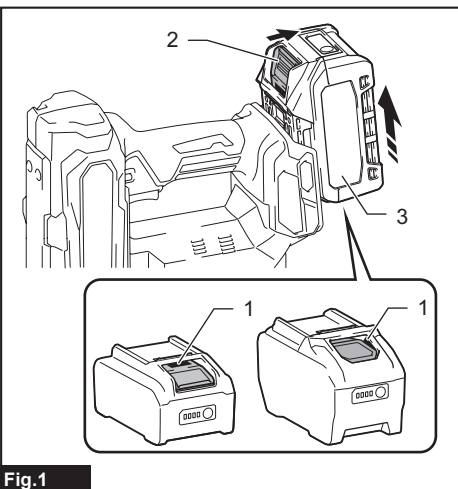


Fig.1

► 1. Indicador rojo 2. Botón 3. Cartucho de batería

Para quitar el cartucho de batería, deslícelo de la herramienta mientras desliza el botón sobre la parte delantera del cartucho.

Para instalar el cartucho de batería, alinee la lengüeta sobre el cartucho de batería con la ranura en la carcasa y deslícela hasta su lugar. Insértelo por completo hasta que se fije en su lugar con un pequeño clic. Si puede ver el indicador rojo como se muestra en la ilustración, este no ha quedado asegurado por completo.

⚠️PRECAUCIÓN: Introduzca siempre completamente el cartucho de batería hasta que el indicador rojo no pueda verse. Si no, podría accidentalmente salirse de la herramienta y caer al suelo causando una lesión a usted o alguien a su alrededor.

⚠️PRECAUCIÓN: No instale el cartucho de batería a la fuerza. Si el cartucho no se desliza al interior fácilmente, se debe a que no está siendo insertado correctamente.

Sistema de protección para la herramienta/batería

La herramienta está equipada con un sistema de protección de la herramienta/batería. Este sistema corta en forma automática el suministro de energía al motor para prolongar la vida útil de la herramienta y la batería. La herramienta se detendrá automáticamente durante la operación si la herramienta o la batería se someten a una de las siguientes condiciones:

Protección contra sobrecarga

Cuando la herramienta/batería se esté utilizando de una manera que cause que consuma una cantidad de corriente inusualmente alta, la herramienta se detendrá automáticamente sin que haya indicación alguna. En este caso, apague la herramienta y detenga la aplicación que causó que la herramienta se sobrecargara. Luego encienda la herramienta para reiniciarla.

Protección contra sobrecalentamiento

Cuando la herramienta/batería se sobrecaliente, la herramienta se detendrá automáticamente. En este caso, permita que la herramienta/batería se enfríe antes de volver a encender la herramienta.

Protección en caso de sobredescarga

Cuando la capacidad de la batería no es suficiente, la herramienta se detiene automáticamente. En este caso, retire la batería de la herramienta y cárguela.

Indicación de la capacidad restante de la batería

Oprima el botón de verificación en el cartucho de la batería para que indique la capacidad restante de la batería. Las luces indicadoras se iluminarán por algunos segundos.

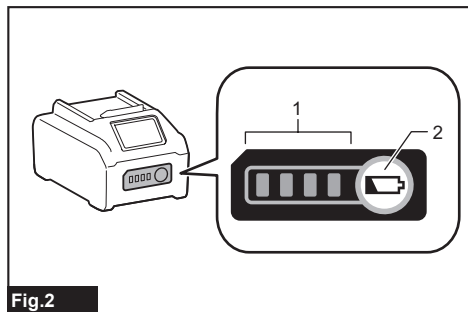


Fig.2

► 1. Luces indicadoras 2. Botón de verificación

Luces indicadoras			Capacidad restante
Iluminadas	Apagadas	Parpadeando	
■ ■ ■ ■	□ □ □ □	▬	75% a 100%
■ ■ ■ □	□ □ □ □	▬	50% a 75%
■ ■ □ □	□ □ □ □	▬	25% a 50%
■ □ □ □	□ □ □ □	▬	0% a 25%
▬ □ □ □	□ □ □ □	▬	Cargar la batería.
■ ■ □ □	□ □ □ □	▬	La batería pudo haber funcionado mal.
□ □ ■ ■	□ □ ■ ■	▬	

NOTA: Dependiendo de las condiciones de uso y la temperatura ambiente, la indicación podrá diferir ligeramente de la capacidad real.

NOTA: La primera luz indicadora (extrema izquierda) parpadeará cuando el sistema de protección de batería esté en funcionamiento.

Botón de bloqueo del gatillo interruptor

⚠️PRECAUCIÓN: Antes de insertar el cartucho de batería en la herramienta, compruebe siempre y cerciórese de que el gatillo interruptor se acciona debidamente y que vuelve a la posición "OFF" (apagado) cuando lo suelta.

⚠️PRECAUCIÓN: Cuando no esté operando la herramienta, presione el botón de bloqueo del gatillo interruptor desde el lado B para bloquear el gatillo interruptor en la posición de apagado.

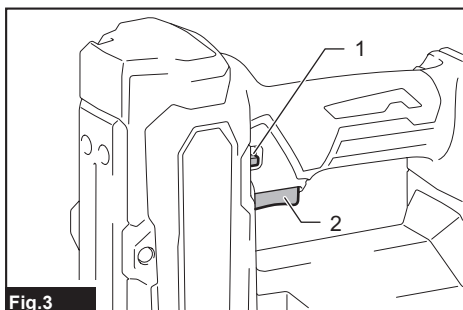


Fig.3

► 1. Botón de bloqueo del gatillo interruptor 2. Gatillo interruptor

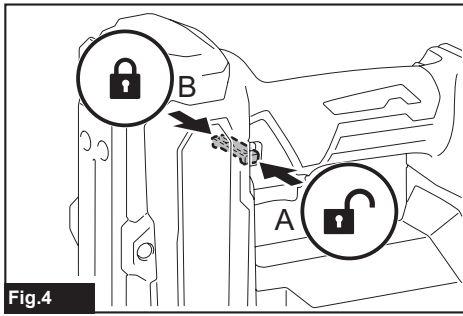


Fig.4

El botón de bloqueo del gatillo interruptor es proporcionado para evitar que el gatillo interruptor sea jalado accidentalmente. Para jalar el gatillo interruptor, presione el botón de bloqueo del gatillo interruptor desde el lado A. Después de usarlo, siempre presione el botón de bloqueo del gatillo interruptor desde el lado B.

Ajuste de la profundidad del clavado

ADVERTENCIA: Asegúrese siempre de que sus dedos no estén colocados sobre el gatillo interruptor o el elemento de contacto y que el cartucho de batería haya sido extraído antes de ajustar la profundidad del clavado.

La profundidad del clavado se puede ajustar al girar el ajustador de la herramienta. Un clavo se introduce más profundamente conforme gira el ajustador en la dirección «A» que se muestra en la figura, y menos profundamente en la dirección «B», dentro de un rango de hasta 2,5 mm (3/32").

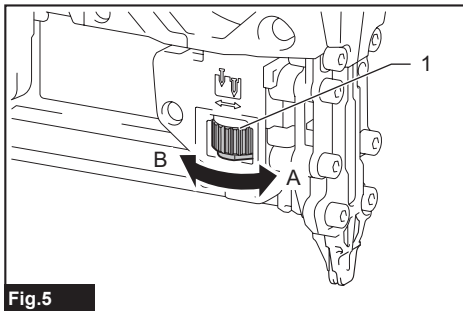


Fig.5

► 1. Ajustador

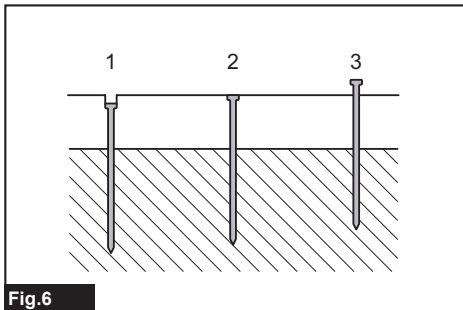


Fig.6

► 1. Demasiado profundo 2. Profundidad correcta 3. Demasiado superficial

Encendido de la lámpara

PRECAUCIÓN: No mire a la luz ni vea a la fuente de luz directamente.

Jale el gatillo interruptor o accione el elemento de contacto para encender la lámpara. La lámpara continuará encendida por hasta 60 segundos mientras se esté jalando el gatillo interruptor o accionando el elemento de contacto. La lámpara se apagará aproximadamente 10 segundos después de haber soltado el gatillo interruptor y el elemento de contacto.

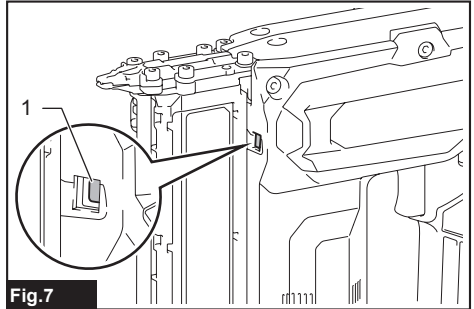


Fig.7

► 1. Luz

AVISO: Utilice un paño seco para quitar la suciedad de la lente de la lámpara. Tenga cuidado de no rayar la lente de la lámpara ya que la iluminación podría disminuir.

AVISO: Aunque la lámpara esté encendida al reducirse la potencia residual de la batería, la clavadora podría no disparar los clavos. En este caso, cargue el cartucho de batería.

AVISO: Cuando la herramienta se sobrecalienta, la luz parpadea. En este caso, suelte el gatillo interruptor y el elemento de contacto, y luego deje enfriar la herramienta/batería antes de hacerla funcionar nuevamente.

AVISO: La lámpara comienza a parpadear si la clavadora detecta un error mientras se inserta el clavo. En este caso, lleve la clavadora a un centro de servicio de fábrica.

MONTAJE

PRECAUCIÓN: Asegúrese siempre de no poner los dedos sobre el gatillo interruptor o sobre el elemento de contacto, y que se haya extraído el cartucho de batería antes de efectuar cualquier trabajo en la clavadora.

Carga o descarga de clavos

⚠PRECAUCIÓN: Asegúrese siempre de que sus dedos no estén colocados sobre el gatillo y el cartucho de batería haya sido extraído antes de cargar los clavos.

⚠PRECAUCIÓN: No deslice abruptamente la compuerta corrediza de la clavadora cuando esté cargada de clavos. La caída accidental de clavos, especialmente si se está trabajando en lugares elevados, podría causar lesiones personales.

⚠PRECAUCIÓN: Cargue los clavos en la dirección correcta. El cargarlos en la dirección incorrecta podría causar el desgaste prematuro del módulo de clavado y daños a otras piezas.

⚠PRECAUCIÓN: No utilice tiras de clavos que estén deformes. Utilice los clavos especificados en este manual. El uso de clavos distintos a los especificados podría causar el atascamiento de los mismos y la avería de la clavadora.

1. Presione la palanca de bloqueo y abra la compuerta corrediza del cartucho.

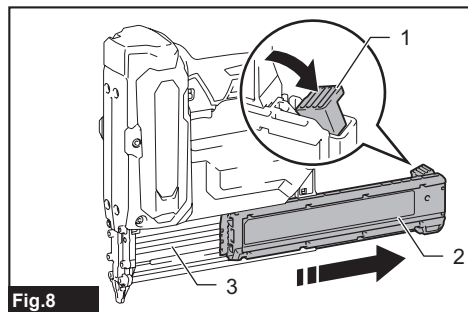


Fig.8

1. Palanca de bloqueo 2. Compuerta corrediza 3. Cartucho

2. Inserte una tira de clavos, de manera que las puntas de los clavos toquen la parte inferior del cartucho y deslice la tira de clavos hacia la guía del impulsor.

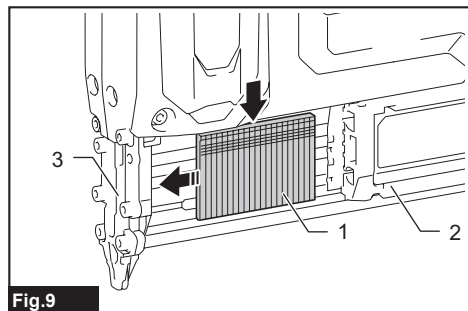


Fig.9

1. Clavos 2. Compuerta corrediza 3. Guía del atornillador

3. Regrese la compuerta corrediza a la posición original hasta que la palanca de bloqueo la asegure. Para extraer los clavos, oprima la palanca de bloqueo y deslice la compuerta corrediza. Saque los clavos del cartucho.

Adaptador de boquilla

⚠PRECAUCIÓN: Asegúrese siempre de que sus dedos no estén colocados sobre el gatillo interruptor o el elemento de contacto y que el cartucho de batería haya sido extraído antes de instalar el adaptador de boquilla.

Cuando dispare clavos sobre material con superficies delicadas, utilice el adaptador de boquilla. Ponga el adaptador sobre el extremo puntiagudo de la guía del impulsor.

El adaptador de boquilla se puede guardar en el soporte, en el extremo posterior del cartucho para evitar que se pierda.

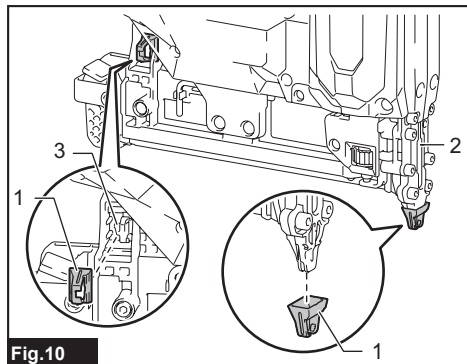


Fig.10

1. Adaptador de boquilla 2. Guía del impulsor 3. Soporte

Gancho

⚠PRECAUCIÓN: Cuando instale el gancho, siempre asegúrelo firmemente con el tornillo. De lo contrario, el gancho podría desprenderse de la herramienta y ocasionar lesiones personales.

⚠PRECAUCIÓN: Utilice las partes para colgado/montaje para sus propósitos pretendidos solamente. El uso para un propósito no pretendido podría ocasionar un accidente o una lesión personal.

⚠PRECAUCIÓN: No cuelgue el gancho del cinturón. Si la clavadora se cae debido a que el gancho se soltó accidentalmente, podría causar un disparo no intencional y ocasionar lesiones personales.

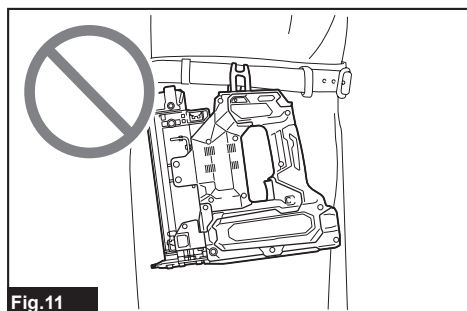


Fig.11

El gancho resulta útil para colgar temporalmente la herramienta. Éste se puede instalar en cualquiera de los lados de la herramienta. Para instalar el gancho, insértelo en una ranura de la carcasa de la herramienta en cualquiera de los lados y luego asegúrelo con un tornillo. Para quitarlo, afloje el tornillo y después sáquelo.

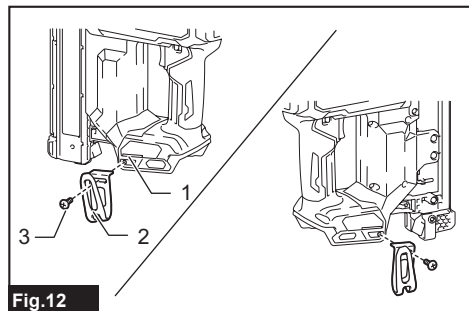


Fig.12

► 1. Ranura 2. Gancho 3. Tornillo

Almacenamiento de la llave hexagonal

Cuando no la utilice, guarde la llave hexagonal tal como se muestra en la ilustración para evitar que se pierda.

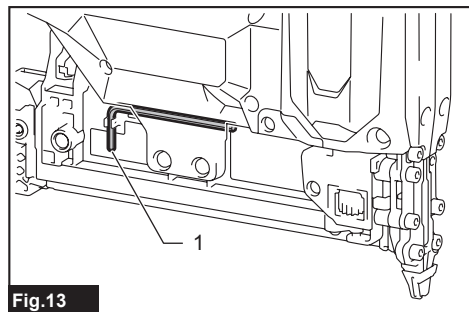


Fig.13

► 1. Llave hexagonal

OPERACIÓN

Prueba del sistema de seguridad

⚠ADVERTENCIA: Asegúrese de que todos los sistemas de seguridad estén funcionando correctamente antes de la operación. El no hacerlo podría causar lesiones personales.

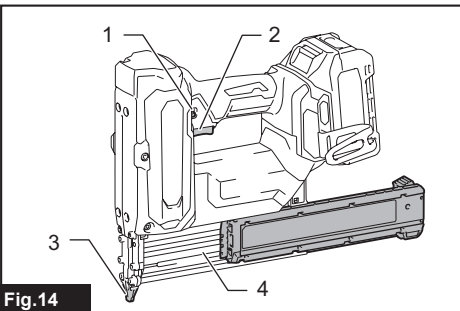


Fig.14

► 1. Botón de bloqueo del gatillo interruptor 2. Gatillo interruptor 3. Elemento de contacto 4. Cartucho

Pruebe los sistemas de seguridad como sigue, para detectar una posible falla antes de la operación.

1. Descargue los clavos de la herramienta y mantenga el cartucho abierto.
2. Instale el cartucho de batería y libere el seguro del gatillo.
3. Jale el gatillo interruptor sin que el elemento de contacto toque el material.
4. El elemento de contacto debe tocar el material sin jalar el gatillo interruptor.

Si la herramienta opera en los casos 3 o 4 anteriores, los sistemas de seguridad están defectuosos. Deje de usar la herramienta de inmediato y comuníquese con el centro de servicio de su localidad.

Inserción de clavos

⚠ADVERTENCIA: No utilice esta clavadora para fijar cables eléctricos. Ésta no está diseñada para la instalación de cableado eléctrico y podría dañar el aislamiento de los cables eléctricos, originando en consecuencia peligros de descarga eléctrica o incendio.

⚠ADVERTENCIA: Mantenga el elemento de contacto colocado firmemente sobre el material hasta que el clavo se haya clavado por completo. Un disparo no intencional podría causar lesiones personales.

⚠PRECAUCIÓN: Sujete firmemente la herramienta durante la operación.

1. Libere el seguro del gatillo.
2. Coloque el elemento de contacto horizontalmente sobre el material.

3. Jale el gatillo interruptor completamente para clavar un clavo.
4. Para clavar el siguiente clavo, suelte su dedo del gatillo interruptor una vez, y luego repita los pasos 2 y 3 anteriores.

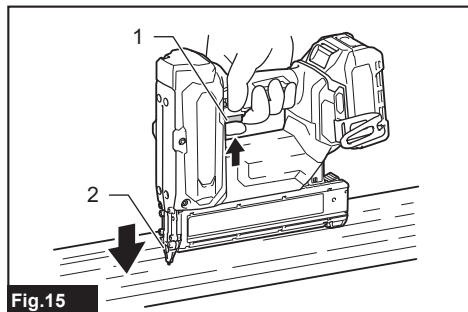


Fig.15

► 1. Gatillo interruptor 2. Elemento de contacto

También puede clavar los clavos cuando deslice la herramienta a la siguiente área con el elemento de contacto presionado contra el material y jalando el gatillo interruptor.

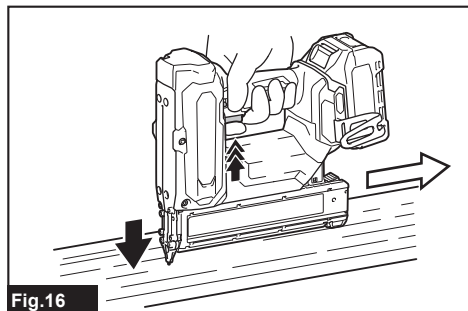


Fig.16

Si la cabeza del clavo queda por encima de la superficie de la pieza de trabajo, inserte el clavo mientras sujeta la cabeza de la clavadora firmemente contra la pieza de trabajo.

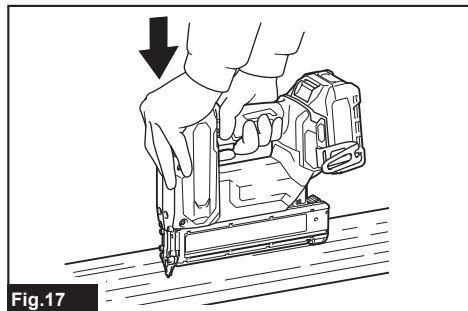


Fig.17

NOTA: Si la cabeza del clavo sigue quedando por encima de la pieza de trabajo incluso sujetando la cabeza de la clavadora, es posible que el material no resulte adecuado para la clavadora. El continuar usando la clavadora sobre dicho material podría ocasionar daños al impulsor de la clavadora y/o el atascamiento de la clavadora.

Mecanismo contra el disparo en seco

⚠ADVERTENCIA: Asegúrese siempre de que sus dedos no estén colocados sobre el gatillo interruptor o el elemento de contacto y que el cartucho de batería haya sido extraído antes de cargar la clavadora.

Cuando el número restante de tiras de clavos en el cartucho sea de 0, el gatillo interruptor ya no podrá ser jalado. En este momento, inserte una nueva tira de clavos en el cartucho. El gatillo interruptor podrá ser jalado de nuevo.

Verificación de los clavos restantes

Usted puede verificar la cantidad de clavos restantes a través de la ventana de visualización.

El indicador rojo se desplaza hacia la abertura de disparo, conforme la cantidad de clavos restantes se reduce.

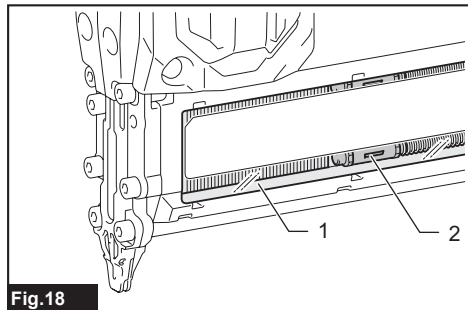


Fig.18

► 1. Ventana de visualización 2. Indicador

Extracción de clavos atascados

⚠ADVERTENCIA: Asegúrese siempre de que el gatillo sea liberado y de que el cartucho de batería y los clavos hayan sido extraídos antes de retirar los clavos atascados.

⚠PRECAUCIÓN: No extraiga los clavos atascados con las manos descubiertas. El clavo podría salirse súbitamente del cartucho y ocasionar una lesión.

Retire los pernos de cabeza hexagonal de la guía del impulsor con la llave hexagonal.
Saque los clavos atascados de la ranura de la guía de clavos con un destornillador plano.
Sujete la guía del impulsor con los pernos de cabeza hexagonal.

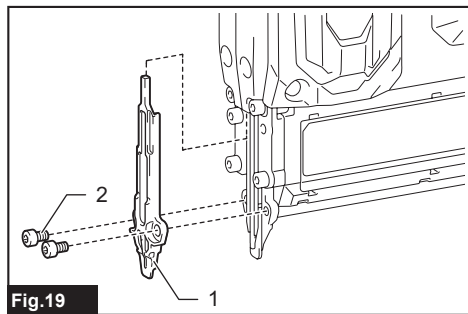


Fig.19

► 1. Guía del impulsor 2. Perno de cabeza hexagonal

NOTA: Después de asegurar la guía del impulsor, asegúrese siempre de que funcione correctamente. De lo contrario, extraiga los pernos de cabeza hexagonal e instale la guía del impulsor nuevamente.

MANTENIMIENTO

⚠PRECAUCIÓN: Asegúrese siempre de que la herramienta esté apagada y el cartucho de batería extraído antes de intentar realizar una inspección o mantenimiento.

AVISO: Nunca use gasolina, bencina, diluyente (tíner), alcohol o sustancias similares. Puede que esto ocasione grietas o descoloramiento.

Para mantener la SEGURIDAD y FIABILIDAD del producto, las reparaciones, y cualquier otra tarea de mantenimiento o ajuste deberán ser realizadas en centros de servicio autorizados o de fábrica Makita, empleando siempre repuestos Makita.

Reemplazo de la guía del impulsor

Accesorio opcional

Reemplace la guía del impulsor equipada estándar con la guía del impulsor opcional, que es más adecuada para sujetar madera suave.

1. Retire los pernos de cabeza hexagonal de la guía del impulsor con la llave hexagonal.

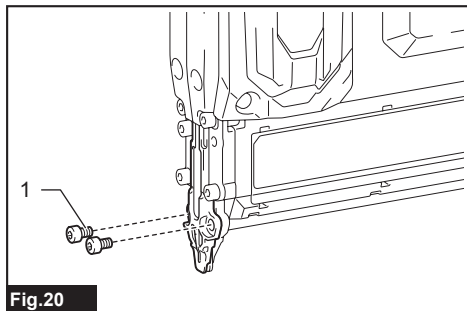


Fig.20

► 1. Perno de cabeza hexagonal

2. Quite la guía del impulsor equipada estándar con un movimiento hacia abajo.

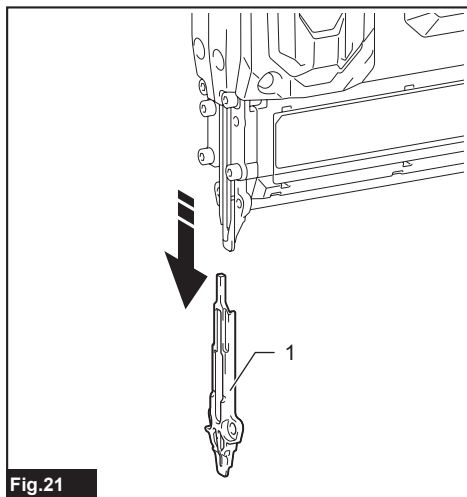


Fig.21

► 1. Guía del impulsor equipada estándar

3. Instale la guía del impulsor opcional al empujarla hacia arriba y dentro de la hendidura de la guía.

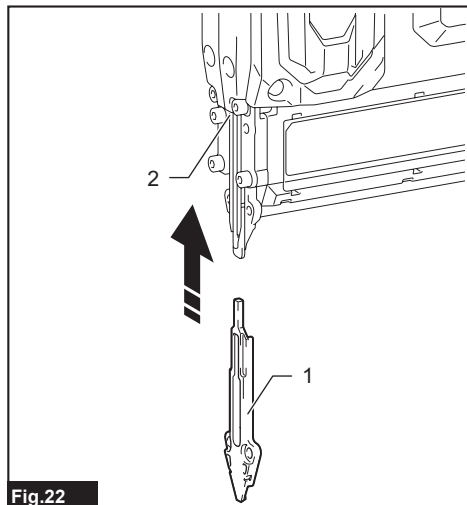


Fig.22

- 1. Guía del impulsor opcional 2. Hendidura de la guía

4. Sujete la guía del impulsor opcional con los pernos de cabeza hexagonal.

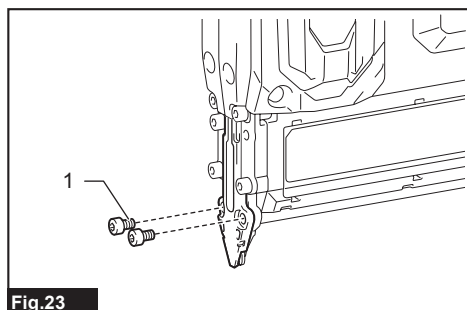


Fig.23

- 1. Perno de cabeza hexagonal

ACCESORIOS OPCIONALES

⚠PRECAUCIÓN: Estos accesorios o aditamentos están recomendados para utilizarse con su herramienta Makita especificada en este manual. El empleo de cualquier otro accesorio o aditamento puede conllevar el riesgo de lesiones personales. Utilice los accesorios o aditamentos solamente para su fin establecido.

Si necesita cualquier ayuda para más detalles en relación con estos accesorios, pregunte a su centro de servicio local Makita.

- Clavos
- Guía del impulsor (para sujetar madera suave)
- Batería y cargador originales de Makita

NOTA: Algunos de los artículos en la lista pueden incluirse en el paquete de la herramienta como accesorios estándar. Éstos pueden variar de país a país.

GARANTÍA LIMITADA DE MAKITA

Ésta Garantía no aplica para México

Consulte la hoja de la garantía anexa para ver los términos más vigentes de la garantía aplicable a este producto. En caso de no disponer de esta hoja de garantía anexa, consulte los detalles sobre la garantía descritos en el sitio web de su país respectivo indicado a continuación.

Estados Unidos de América: www.makitatools.com

Canadá: www.makita.ca

Otros países: www.makita.com

< USA only >

WARNING

Some dust created by power sanding, sawing, grinding, drilling, and other construction activities contains chemicals known to the State of California to cause cancer, birth defects or other reproductive harm. Some examples of these chemicals are:

- lead from lead-based paints,
- crystalline silica from bricks and cement and other masonry products, and
- arsenic and chromium from chemically-treated lumber.

Your risk from these exposures varies, depending on how often you do this type of work. To reduce your exposure to these chemicals: work in a well ventilated area, and work with approved safety equipment, such as those dust masks that are specially designed to filter out microscopic particles.

< Sólo en los Estados Unidos >

ADVERTENCIA

Algunos polvos creados por el lijado, aserrado, esmerilado, taladrado y otras actividades de la construcción contienen sustancias químicas reconocidas por el Estado de California como causantes de cáncer, defectos de nacimiento y otros peligros de reproducción. Algunos ejemplos de estos productos químicos son:

- plomo de pinturas a base de plomo,
- sílice cristalino de ladrillos y cemento y otros productos de albañilería, y
- arsénico y cromo de maderas tratadas químicamente.

El riesgo al que se expone varía, dependiendo de la frecuencia con la que realice este tipo de trabajo. Para reducir la exposición a estos productos químicos: trabaje en un área bien ventilada y póngase el equipo de seguridad indicado, tal como las máscaras contra polvo que están especialmente diseñadas para filtrar partículas microscópicas.

Makita Corporation

3-11-8, Sumiyoshi-cho,
Anjo, Aichi 446-8502 Japan

www.makita.com

885861C932
FN001G-1
EN, FRCA, ESMX
20210818